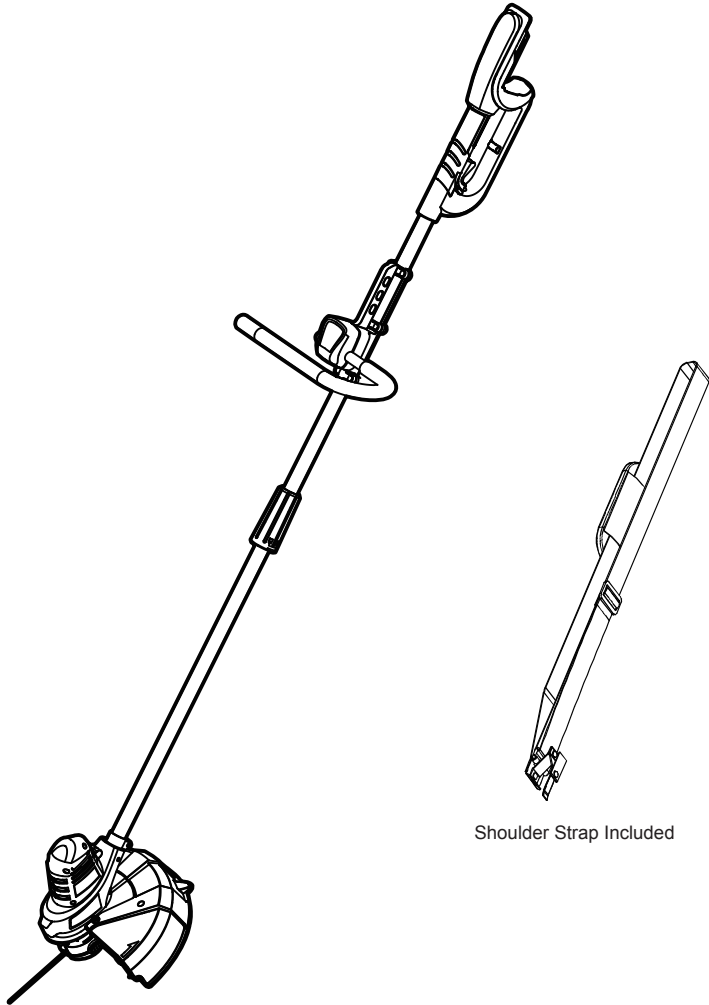


LawnMaster[®]

Operators Manual

EN p. 2

40V-12" Li-Ion Cordless Grass Trimmer CLGT4012K



Shoulder Strap Included

CLGT2412K



Read all safety rules and instructions carefully before operating this tool.

Distributed By Cleva North America 601 Regent Park Court Greenville, SC 29607 (866)-384-8432

CONTENTS

CONTENTS	2
PRODUCT SPECIFICATIONS	2
GENERAL SAFETY RULES	3-4
ELECTRICAL INFORMATION	5
SYMBOLS	6-7
KNOW YOUR CORDLESS GRASS TRIMMER	8-9
ASSEMBLY	10-11
OPERATION	12-14
MAINTENANCE	14-15
TROUBLESHOOTING	16
WARRANTY POLICY	17
EXPLODED VIEW	18
PARTS LIST	19
NOTES	20

PRODUCT SPECIFICATIONS

40V LITHIUM-ION CORDLESS GRASS TRIMMER

Type	Cordless, Battery-Powered
Rated No Load Speed	7200 r/ min
Line Diameter	0.080" Round Line
Feed System	12" Fixed Line
Cutting Width	12 inch
Weight	7.4 lbs without battery

GENERAL SAFETY RULES

WARNING

Read and understand all instructions before using this product. Failure to follow all instructions listed below may result in electric shock, fire, and/or serious personal injury.

- Do not operate power tools in explosive atmospheres, such as in the presence of flammable liquids, gases, or dust. Power tools create sparks which may ignite the dust or fumes.
- Do not allow children or untrained individuals to use this unit.
- Don't expose power tools to rain or wet conditions. Water entering a power tool will increase the risk of electric shock.
- Do not handle plug or tool with wet hands.
- Never allow children to operate the equipment. Never allow adults to operate the equipment without proper instruction.
- Always wear safety glasses with side shields. Everyday glasses have only impact resistant lenses. They are NOT safety glasses. Following this rule will reduce the risk of eye injury. Use face mask if operation is dusty.
- Wear eye protection when operating this product. Secure long hair above shoulder level to prevent entanglement in moving parts.
- Do not expose to rain, store indoors.
- Keep all parts of your body away from any moving part.
- Keep hair, loose clothing, fingers and all body parts away from opening and moving parts.
- Wear heavy long pants, boots, and gloves. Avoid loose garments or jewelry that could get caught in moving parts of the machine or its motor.
- Do not force tool. Use the correct tool for your application. The correct tool will do the job better and safer at the rate for which it is designed.
- Do not operate the equipment while barefoot or when wearing sandals or similar lightweight footwear. Wear protective footwear that will protect your feet and improve your footing on slippery surfaces.
- Secure long hair so it is above shoulder level to prevent entanglement in any moving parts.
- Keep firm footing and balance. Do not overreach. Overreaching can result in loss balance.
- Do not allow to be used as a toy. Close attention is necessary when used by or near children.
- Do not use tool if switch does not turn it on or off. Any tool that cannot be controlled with the switch is dangerous and must be repaired.
- Keep all bystanders, children, and pets at least 50 ft. away.
- Do not operate this unit when you are tired, ill, or under the influence of alcohol, drugs, or medication.
- Do not operate in poor lighting.
- Do not put any object into openings. Do not use with any opening blocked; keep openings free of dust, lint, hair, and anything that may reduce air flow.
- Check the work area before each use. Remove all objects such as rocks, broken glass, nails, wire, or string which can be thrown or become entangled in the machine.

GENERAL SAFETY RULES

- Use only identical manufacturer's replacement parts and accessories. Use of any other parts may create a hazard or cause product damage.
- Do not charge battery tool in rain, or damp or wet location. Following this rule will reduce the risk of electric shock.
- For household use only.
- Battery tools do not have to be plugged into an electrical outlet; therefore, they are always in operating condition. Be aware of possible hazards when not using your battery tool or when changing accessories. Following this rule will reduce the risk of electric shock, fire, or serious personal injury.
- Remove or disconnect battery before servicing, cleaning or removing material from the gardening appliance.
- Store idle appliances - When not in use, grass trimmer should be stored indoors in a dry, locked place out reach of children.
- Do not dispose of the batteries in fire. The cell may explode. Check with local codes for possible special disposal instructions.
- Do not place battery tools or their batteries near fire or heat. This will reduce the risk of explosion and possibly injury.
- Do not open or mutilate the batteries. Released electrolyte is corrosive and may cause damage to the eyes or skin. It may be toxic if swallowed.
- Batteries can explode in the presence of a source of ignition, such as a pilot light. To reduce the risk of serious personal injury, never use any cordless product in the presence of open flame. An exploded battery can propel debris and chemical. If exposed, flush with water immediately.
- Do not crush, drop or damage battery pack. Do not use a battery pack or charger that has been dropped or received a sharp blow. A damaged battery is subject to explosion. Properly dispose of a dropped or damaged battery immediately.
- Exercise care in handling batteries in order not to short the battery with conducting materials such as rings, bracelets, and keys. The battery or conductor may overheat and cause burns. Do not open or mutilate the batteries. Released electrolyte is corrosive and may cause damage to the eyes or skin. It may be toxic if swallowed.
- For best results, your battery tool should be charged in a location where the temperature is more than 50°F but less than 100°F. To reduce the risk of serious personal injury, do not store outside or in vehicles.
- Under extreme usage or temperature conditions, battery leakage may occur. If liquid comes in contact with your skin, wash immediately with soap and water, then neutralize with lemon juice or vinegar. If liquid gets into your eyes, flush them with water with clean water for at least 10 minutes, then seek immediate medical attention. Following this rule will reduce the risk of serious personal injury.

ELECTRICAL INFORMATION

- If the power supply cord is damaged, it must be replaced only by the manufacturer or by an authorized service center to avoid risk.
- Do not point the grass trimmer in the direction of people or pets.
- Never run the unit without the proper equipment attached. Always ensure the sweeper tubes are installed.
- When not in use, grass trimmer should be stored indoors in a dry, locked up place—out of the reach of children.
- Maintain tool with care. Keep fan area clean for best and safest performance. Follow instructions for proper maintenance. Do not attempt to clear clogs from tool without first unplugging it.
- To reduce the risk of electrical shock, do not expose to rain, do not use on wet surfaces. Store indoors.
- Save these instructions. Refer to them frequently and use them to instruct others who may use this power tool. If you loan someone this power tool, loan them these instructions also.

CHILD SAFETY

Tragic accidents can occur if the operator is not aware of the presence of children.

- Keep children out of the working area and under the watchful care of a responsible adult.
- Do not allow children under the age of 14 to operate this grass trimmer. Children who are 14 years of age and older must read and understand the operating instructions and safety rules in this manual and must be trained and supervised by a parent.
- Stay alert, and turn the grass trimmer off if a child or any other person enters the working area.
- Look behind and down for small children before and while cutting backwards.
- Use extreme care when approaching blind corners, doorways, shrubs, trees, or other objects that may obscure your view of a child who may run into the path of the grass trimmer.

WARNING (PROPOSITION 65)

Some dust created by power sanding, sawing, grinding, drilling, and other construction activities contains chemicals known to cause cancer, birth defects or other reproductive harm. Some examples of these chemicals are:













- Lead from lead-based paints
- Crystalline silica from bricks and cement and other masonry products, and
- Arsenic and chromium from chemically treated lumber.

Your risk of exposure to these chemicals varies depending on how often you do this type of work. To reduce your exposure to these chemicals, work in a well-ventilated area, and work with approved safety equipment, such as dust masks that are specially designed to filter out microscopic particles.

The following signal words and meanings are intended to explain the levels of risk associated with this product.




SYMBOLS

On the product, the rating label and within these instructions you will find among others the following symbols and abbreviations. Familiarise yourself with them to reduce hazards like personal injuries and damage to property.

SYMBOL	NAME	DESIGNATION/EXPLANATION
V	Volts	Voltage
A	Amperes	Current
Hz	Hertz	Frequency (cycles per second)
W	Watts	Power
hrs	Hours	Time
n_0	No Load Speed	Rational speed, at no load
	Class II Construction	Double-insulated construction
/min	Per Minute	Revolutions, strokes, surface speed, orbits etc., per minute
	Lithium-Ion Battery Recycling	Designates that this tool is in compliance with Lithium-Ion battery recycling program requirements
	Safety Alert Symbol	Precautions that involve your safety.
	Read the Operator's Manual	To reduce the risk of injury, user must read and understand operator's manual before using this product.
	Eye and Head Protection	Wear eye and head protection when operating this equipment.
	Gloves	Wear non-slip, heavy-duty protective gloves when handling the pole saw and the blade.
	Safety Footwear	Wear non-slip safety footwear when using this equipment.
	Kickback	DANGER! Beware of kickback.
	Risk of Electrocution	DANGER! Risk of electrocution!
	Electric Shock	Failure to use in dry conditions and to observe safe practices can result in electric shock.
	No Hands Symbol	Failure to keep your hands away from the blade will result in serious personal injury.
	Keep Bystanders Away	Keep all bystanders at least 50' (15 m) away.

SYMBOLS

The following signal words and meanings are intended to explain the levels of risk associated with this product.

SYMBOL	SIGNAL	MEANING
	DANGER	Indicates an imminently hazardous situation, which, if not avoided, will result in death or serious injury.
	WARNING	Indicates a potentially hazardous situation, which, if not avoided, could result in death or serious injury.
	CAUTION	Indicates a potentially hazardous situation, which, if not avoided, may result in minor or moderate injury.
	CAUTION	(Without Safety Alert Symbol) Indicates a situation that may result in property damage.


Service

Servicing requires extreme care and knowledge and should be performed only by a qualified service technician. For service we suggest you return the product to your nearest **AUTHORIZED SERVICE CENTER** for repair. When servicing, use only identical replacement parts.

WARNING

To avoid serious personal injury, do not attempt to use this product until you have read this Owner's Manual thoroughly and understand it completely. If you do not understand the warnings and instructions in this Owner's Manual, do not use this product. Call the Toll-free Helpline (866)-384- 8432 for assistance. The operation of any power tool can result in foreign objects being thrown into your eyes, which can result in severe eye damage. Before operating a power tool, always wear safety goggles, safety glasses with side shields, or a full face shield when needed. We recommend a Wide Vision Safety Mask for use over eyeglasses or standard safety glasses with side shields. Always use eye protection that is marked to comply with ANSI Z87.1.

WARNING

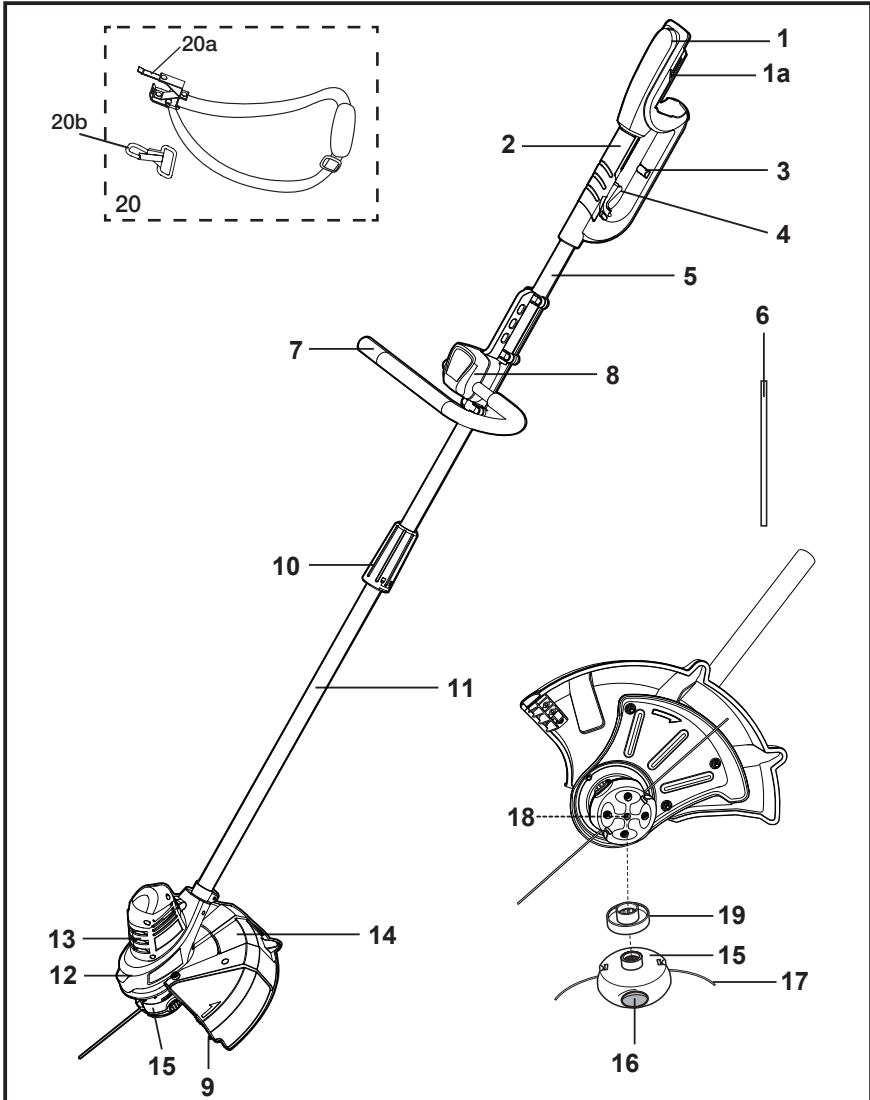
 The operation of any power tool can result in foreign objects being thrown into your eyes, which can result in severe eye damage. Before beginning power tool operation, always wear safety goggles or safety glasses with side shields and, when needed, a full face shield. We recommend Wide Vision Safety Mask for use over eyeglasses or standard safety glasses with side shields. Always use eye protection which is marked to comply with ANSI Z87.1.

SAVE THESE INSTRUCTIONS

KNOW YOUR CORDLESS GRASS TRIMMER

KNOW YOUR PRODUCT

The safe use of this product requires an understanding of the information on the product and in this operator's manual as well as a knowledge of the project you are attempting. Before use of this product, familiarize yourself with all operating features and safety rules.



KNOW YOUR CORDLESS GRASS TRIMMER

- | | |
|----------------------------|-----------------------------|
| 1. Battery Dock | 12. Motor Housing |
| 1 a. Slot | 13. Air Vents |
| 2. Rear Handle | 14. Safety Guard |
| 3. On/off Switch | 15. Fixed Line Trimmer Head |
| 4. Lock-off Button | 16. Release Button |
| 5. Upper Shaft | 17. Trimmer Line (2mm/.08") |
| 6. Spindle Lock Rod | 18. Spindle |
| 7. Front Handle (J-handle) | 19. Backing Flange |
| 8. Front Handle Connector | 20. Shoulder Strap |
| 9. Line Cutting Knife | 20a. Clasp Release Bar |
| 10. Locking Collar | 20b. Snap Clip |
| 11. Lower Shaft | |

NOTE: The above identifier numbers will be used throughout the manual to aid in calling out features.

Unpack

- Unpack all parts and lay them on a flat, stable surface.
- Remove all packing materials and shipping devices if applicable.
- Make sure the delivery contents are complete and free of any damage. If you find that parts are missing or show damage do not use the product but contact your dealer. Using an incomplete or damaged product represents a hazard to people and property.
- Ensure that you have all the accessories and tools needed for assembly and operation. This also includes suitable personal protective equipment.

You Will Need (items not supplied)

- Suitable personal protective equipment
- Battery pack 40LB4001
- Charger 40LC01-ETL

(items supplied)

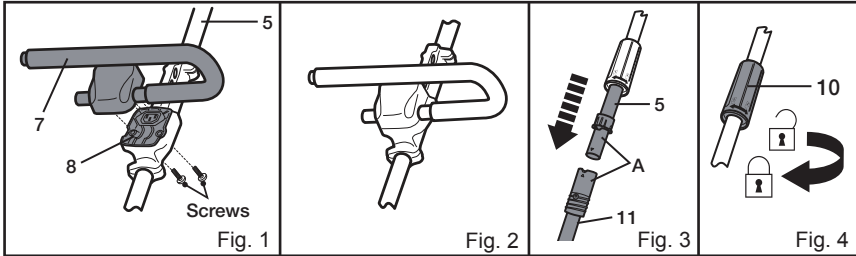
- Hardware pack (Trimmer Head, Backing Flange, Spindle Locking Rod, 10pcs – 12" .080" line)
- Shoulder strap
- Safety Guard
- Upper Shaft
- Lower Shaft w/ Motor
- Front Handle (J-Handle)

ASSEMBLY

J-handle

NOTE: The 2 screws needed for attaching the J handle to the upper shaft are found already in the J handle. They must be removed for installation.

1. Align the J-handle with the front handle connector on the upper shaft (Fig. 1).
2. Attach the J-handle to the front handle connector on the upper shaft and fasten it with screws (Fig. 2).



Shaft

1. Align the upper shaft with the lower shaft . The triangle-shaped recesses must face each other (Fig. 3).
2. Insert the upper shaft into the lower shaft.
3. Fasten both shafts with the locking collar (Fig. 4).

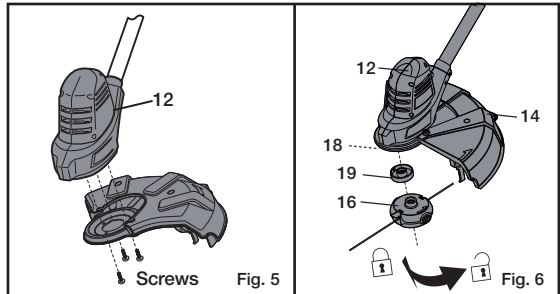
⚠ WARNING

The product must be fully assembled before operation! Do not use a product that is only partly assembled or assembled with damaged parts! Follow the assembly instructions step-by-step and use the pictures provided as a visual guide to easily assemble the product! Do not connect the product to power supply before it is completely assembled! Failure to heed this warning could result in serious personal injury.

NOTE: The 3 screws for attaching the guard to the motor housing are found already in the motor housing. They must be removed for installation.

Safety Guard

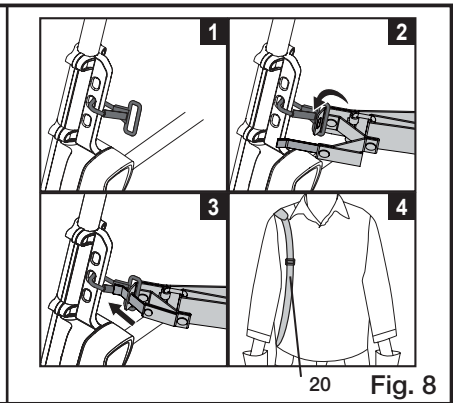
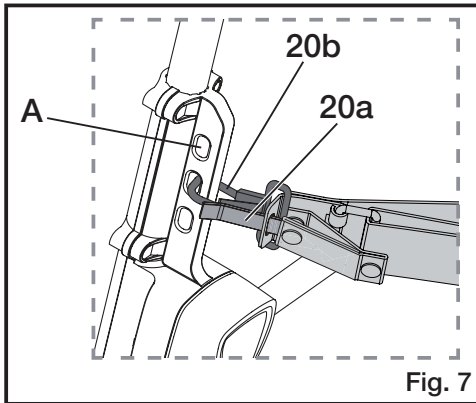
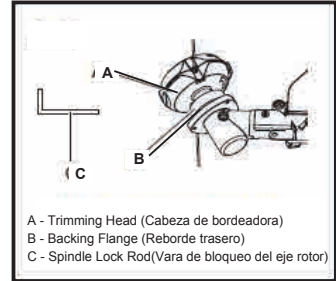
Attach the safety guard to the gear head and fix it with screws (Fig. 5).



ASSEMBLY

Fixed Line Trimmer Head

1. Make sure that the safety guard has been attached properly.
2. Rotate the backing flange until its hole is aligned with the notch in the gear head.
3. Insert the spindle lock rod into the hole to lock the spindle.
4. Screw the trimmer head anticlockwise on the spindle (Fig. 6).
5. Remove the spindle lock rod.



Shoulder Strap

The shoulder strap helps the operator to carry the product.

1. Attach the snap clip to one of the three connection points most suitable to your height (Fig. 7).
2. To remove the shoulder strap from the loop, pull the clasp release bar back and out of the hole.
3. Install and place the shoulder strap as show below (Fig. 8).

⚠ WARNING

This product must be used with all safety guards installed at all times.

Failure to heed this warning could result in serious personal injury.

OPERATION

Intended Use

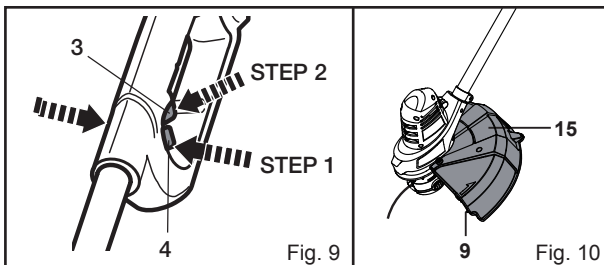
This cordless grass trimmer is designated with rated voltage of 36V D.C. . It is designed only to be used with battery packs 40LB4001. The fixed line trimmer head installed on this product is intended to cut smaller types of weed, lawn grass or similar soft vegetation in areas that are hard to reach, e.g. under bushes, on slopes and edges. It may not be used to work on unusual thick, dry or wet grass, e.g. pasture grass, or to shred leaves. For safety reasons it is essential to read the entire instruction manual before first operation and to observe all the instructions therein. This product is intended for private domestic use only, not for any commercial trade use. It must not be used for any purposes other than those described.

ON / OFF Switch

1. Press the lock-off button on either side and hold it in position (Fig. 9, STEP 1).
2. Press the on/off switch to switch the product on (Fig. 9, STEP 2). The lock-off button can then be released.
3. Release the on/off switch to switch the product off.

Safety Guard

Safety guard protects the operator against thrown objects during operation. The safety guard is equipped with a line cutting knife that cuts excess trimming line (Fig. 10).



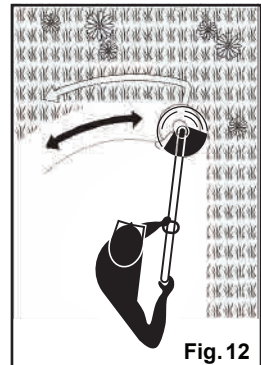
General Operation

- Check the product, its battery pack and charger as well as accessories for damage before each use. Do not use the product if it is damaged or shows wear.
- Double check that accessories or cutting device are properly fixed.
- Always hold the product by its handles. Keep the handles dry and free from lubricant to ensure safe support.
- Ensure that the air vents are always unobstructed and clear. Clean them if necessary with a soft brush. Blocked air vents may lead to overheating and damage the product.
- Switch the product off immediately if you are disturbed while working by other people entering the working area. Always let the product come to complete stop before putting it down.
- Do not overwork yourself. Take regular breaks to ensure you can concentrate on the work and have full control over the product.

OPERATION

Trimming

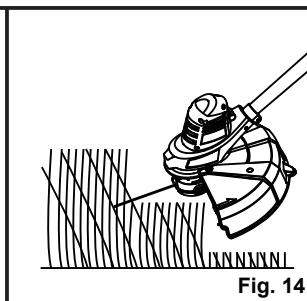
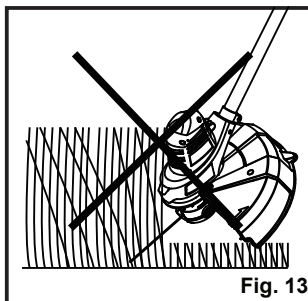
- Attach the trimming head to cut smaller types of weed, lawn grass or similar soft vegetation.
- Hold the product firmly with a gap between the product and your right side.
- Stand upright, do not lean forward and pay attention to posture. Keep both feet apart to help retain your balance.
- Hold the trimming head just above the ground at an angle of approximately 30° (Fig. 11). Avoid pressing it against the ground as this can ruin the lawn and damage the product.
- Move the product with a slow regular arc from left to right before moving it back to the starting position and trimming the next area (Fig. 12).



⚠ WARNING

To avoid hazards, remove the battery pack when the user wants to transport the product in another area to prevent a random start. Failure to heed this warning could result in serious personal injury.

- Ensure the cutting device remains clean and free from off-cuts that may cause it to jam. Check regularly. Release the on/off switch and remove the battery pack before checking.
- Trim longer grass in stages; do not cut long grass in one cut (Fig. 13). For the best results, cut longer grass in steps (Fig. 14).
- Wait until the product has come to a standstill before placing it down.



Tips

- For best results, do not cut wet grass because it tends to stick to the trimming head and guard, prevents proper discharge of grass trimmings, and could cause you to slip and fall.

OPERATION

- Pay special attention when performing the work close to trees and bushes. The trimming head could damage sensitive bark, and damage fence posts (Fig. 15).
- Carefully maneuver the product around objects, such as trees and bushes, ensuring it does not come into contact with them.

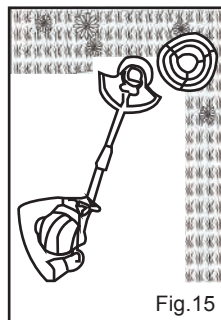


Fig.15

After Use

- Switch the product off, remove the battery back and let it cool down.
- Check, clean and store the product as described below.

MAINTENANCE

⚠ WARNING To Reduce The Risk Of Injury Or Damage:

- Always switch the product off, remove the battery pack and let the product cool down before performing inspection, maintenance and cleaning work!
- Only perform repairs and maintenance work according to these instructions! All further works must be performed by a qualified specialist!
- Do not use chemical, alkaline, abrasive or other aggressive detergents or disinfectants to clean this product as they might be harmful to its surfaces.
- Wear safety gloves when working on the cutting device and close to it! Use appropriate tools to remove debris e.g. a brush or wooden stick! Never use your bare hands!
- Always use original spare parts for replacement. The trimmer head **MUST** be replaced with an identical replacement part! Do not attach any other type of trimming device!
- Please consult the instructions for use supplied with the battery pack and charger for more detail.

General Care

- Keep the product clean. Remove debris from it after each use and before storage.
- Regular and proper cleaning will help ensure safe use and prolong the life of the product.
- Inspect the product before each use for worn and damaged parts. Do not operate it if you find broken and worn parts.

General Cleaning

- Clean the product with a dry cloth. Use a brush for areas that are hard to reach.
- In particular clean the air vents after every use with a cloth and brush.
- Remove stubborn dust with high pressure air (max. 3 bar).

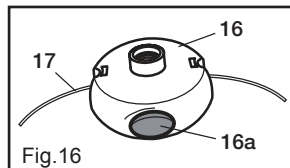
MAINTENANCE

Replacing The Trimmer Head

- Lay the product on a flat stable surface with the trimmer head (16) facing upward.
- Rotate the backing flange until one of the notches is aligned with the hole in the gear head.
- Insert the spindle lock rod into the hole to lock the spindle.
- Unscrew the trimmer head (16) clockwise.
- Refit the trimmer head (16) to the spindle as described in section "Assembly –Trimmer Head".

Refilling Trimmer Line

- Press and hold the release button on the trimmer head (16) housing. The trimmer line can be replaced while the button is pressed .
- After inserting new trimmer line, make sure it sticks out evenly off the trimmer head (Fig. 16).



NOTE: Always use .080" (2mm) round trimmer monofilament line as replacement line. OR buy 12 inch pre-cut .080" round line at your nearest retailer.

Safety Guard

- Keep the safety guard clean and free of debris. Remove trimmings.
- Replace the safety guard with one of the same type when it is worn or shows damage.

Repair

This product does not contain any parts that can be repaired by the consumer. Contact an authorized service center or a similarly qualified person to have it checked and repaired.

Storage

- Clean the product as described above.
- Store the product and its accessories in a dry, frost-free place.
- Always store the product in a place that is inaccessible to children. The ideal storage temperature is between 10 and 30°C.
- We recommend using the original package for storage or covering the product with a suitable cloth or enclosure to protect it against dust.

Transportation

- Switch the product off and remove the battery pack before transporting it anywhere.
- Attach other transportation guards, if applicable.
- Always carry the product by its gripping handles.
- Protect the product from any heavy impact or strong vibrations which may occur during transportation in vehicles.
- Secure the product to prevent it from slipping or falling over.

TROUBLESHOOTING

Problem	Possible Cause	Solution
1. Product does not start	1.1. Battery pack not properly attached	1.1. Attach properly
2. Product does not reach full power	1.2. Battery pack discharged	1.2. Remove and charge battery pack
	1.3. Battery pack damaged	1.3. Check by a specialist electrician
	1.4. Other electrical defect to the product	1.4. Check by a specialist electrician
	2.1. Battery pack capacity too low	2.1. Charge battery pack
	2.2. Air vents are blocked	2.2. Clean the air vents
3. Unsatisfactory result	3.1. Trimming device is worn	3.1 Replace with a new one

WARRANTY POLICY

We take pride in producing a high quality, reliable product. That's why LawnMaster tools carry a limited two (2) year warranty against defects in workmanship and materials from date of purchase under normal household use. If product is to be used for commercial, industrial or rental use, a thirty (30) day limited warranty will apply. Batteries and chargers carry a limited one (1) year warranty against defects in workmanship and materials.

Returning Product for Warranty:

- Dated proof of purchase is required for warranty service.
- Please register your product on www.lawnmaster.com.
- Contact Customer Service at (866) 384-8432 to initiate the warranty process.
- Shipping and processing fees may apply.

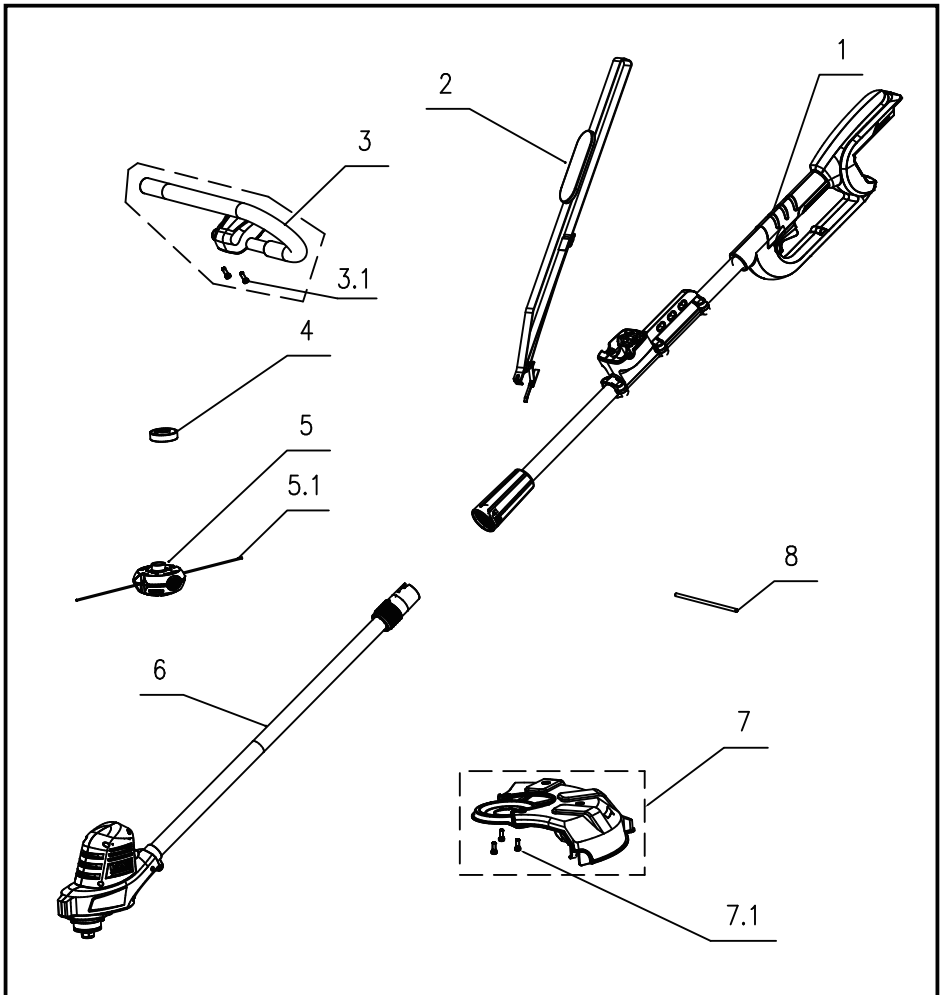
Not Covered by Warranty:

- Any part that has become inoperative due to misuse, negligence, direct/indirect abuse, accidents, improper maintenance, repairs or alteration;
- Batteries that are not charged in accordance with the operator's manual directions and regulations;
- Any parts subject to normal wear and tear including but not limited to: the spool of trimmer line, trimmer head spool cover, mower blade, collection bag, brush cutter blade, pole saw chain and guide bar;
- The unit, if it has not been operated and/or maintained in accordance with the operator's manual;
- Normal wear and tear;
- Routine maintenance items such as lubricants, blade sharpening;
- Normal deterioration of the exterior finish due to use or exposure;
- Any product where serial number/data label is tampered with or removed;
- Any product purchased from unauthorized retailers.

This warranty gives you specific legal rights, and you may have other rights, which vary from state to state.

EXPLODED VIEW

CLGT4012K EXPLODED VIEW



PARTS LIST

CLGT4012K PARTS LIST

NO.	PART NO.	PART DESCRIPTION	QTY
1	GE71DC.10.00	Rear Handle	1
2	GE70DC.00.16	Shoulder Strap	1
3	GE71DC.40.00	J-handle	1
3.1	BOA1XP.50.16	Screw	2
4	EA34FA.40.02	Backing Flange	1
5	GE70DC.50.05.X1.03	Fixed Line Trimmer Head	1
5.1	FG1131.09.01	Trimmer Line	10
6	GE71DC.20.03.X1.01	Front Handle w/ Motor Assembly	1
7	GE01BC.50.10.X1.01	Safety Guard Assembly	1
7.1	BOA1SP.50.12.BX	Screw	3
8	GE70DC.00.09	Spindle Lock Rod	1

