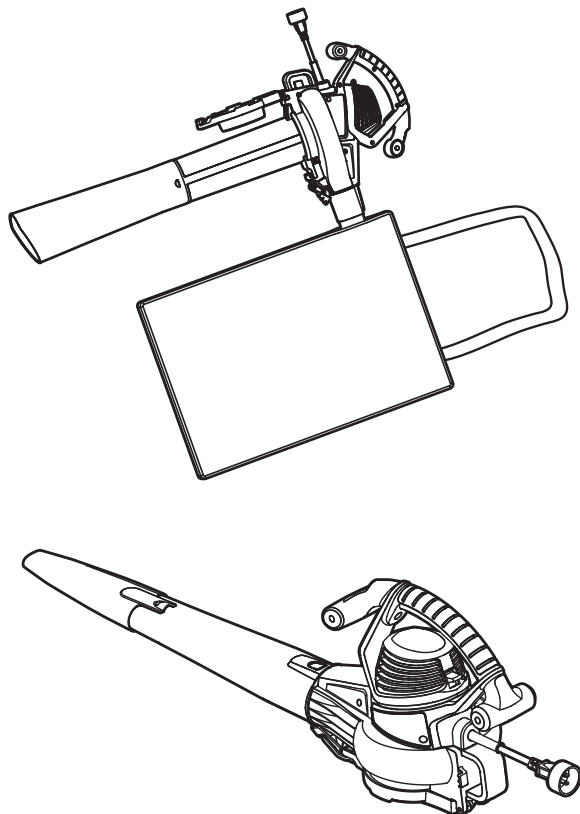


LawnMaster®

Operator's Manual

2-SPEED 12 AMP ELECTRIC BLOWER/VACUUM BV1210

Save this manual for future reference



Read all safety rules and instructions carefully before operating this tool.
Distributed By: Suzhou Cleva Electric Appliance Co., Ltd.
NO.8 Ting Rong Street 215122 Suzhou - China



TABLE OF CONTENTS

Section	Page
TABLE OF CONTENTS	2
SPECIFICATIONS	3
IMPORTANT SAFETY INSTRUCTIONS	4-8
SYMBOLS	9-10
KNOW YOUR BLOWER	11-12
ASSEMBLY	13-15
OPERATION	16-18
MAINTENANCE	19
TROUBLESHOOTING	20
LAWNMASTER® WARRANTY	21
EXPLODED VIEW	22
PARTS LIST	23
NOTES	24

SPECIFICATIONS

2-SPEED 12 AMP ELECTRIC BLOWER/VACUUM BV1210

Voltage	120 V ~ 60 Hz
Current	12 A
Air Volume	Low = 310 CFM / High = 380 CFM
Air Speed	Low = 180 MPH / High = 240 MPH
Mulch Ratio	16:1
Unit Weight	11.8 lbs (5.35 kg)
Collection Bag Capacity	14 gallon (54 liters)

IMPORTANT SAFETY INSTRUCTIONS



IMPORTANT!

READ AND UNDERSTAND ALL INSTRUCTIONS.

Failure to follow all instructions listed below may result in electric shock, fire and/or serious personal injury.

READ THESE INSTRUCTIONS BEFORE USING THIS BLOWER/VACUUM.



WARNING

TO REDUCE THE RISK OF FIRE, ELECTRIC SHOCK OR INJURY:

- Do not operate power tools in explosive environments (such as in the presence of flammable liquids, gases, or dust), or use to pick up flammable or combustible liquids,
 - Power tools create sparks which may ignite dust or fumes.
 - To reduce the risk of electric shock, this tool has a polarized plug (one blade is wider than the other) and will require the use of a polarized extension cord. The plug will fit into a polarized extension cord only one way. If the plug does not fit fully into the extension cord, reverse the plug. If the plug still does not fit, obtain a correct polarized extension cord. A polarized extension cord will require the use of a polarized wall outlet. This plug will fit into the polarized wall outlet only one way. If the plug does not fit fully into the wall outlet, reverse the plug. If the plug still does not fit, contact a qualified electrician to install the proper wall outlet. Do not change the equipment plug, extension cord receptacle, or extension cord plug in any way.
 - Avoid body contact with grounded surfaces such as pipes, radiators, ranges, and refrigerators. There is an increased risk of electric shock if your body is grounded.
 - Do not expose power tools to rain or wet conditions, store indoors. Water entering a power tool will increase the risk of electric shock.
 - Do not handle plug or tool with wet hands.
 - Use outdoor extension cords marked W-A, W, SW-A, SOW-A, STW-A, STOW-A, SJW-A, SJTW-A, or SJTOW-A. These cords are rated for outdoor use and reduce the risk of electric shock.
 - Never allow children to operate the equipment. Never allow adults to operate the equipment without proper instruction.
 - Wear eye protection with side shields which are marked to comply with ANSI Z87.1 as well as hearing protection when operating this product.
 - Protect your lungs. Always wear a face or dust mask if the operation causes dust. Following this rule will reduce the risk of serious personal injury.
 - Use extra care when cleaning on stairs.
 - Use only as described in this manual. Use only manufacturer's recommended attachments.
 - Keep hair, loose clothing, fingers and all body parts away from openings, moving parts and all hot surfaces of the unit.
 - Secure long hair so it is above shoulder level to prevent entanglement in any moving parts.
 - Wear heavy long pants, long sleeves, boots, and gloves. Avoid loose garments or jewelry that could get caught in moving parts of the machine or its motor.
 - Do not operate the equipment while barefoot or when wearing sandals or similar lightweight footwear. Wear protective footwear that will protect your feet and improve your footing on slippery surfaces.
-

IMPORTANT SAFETY INSTRUCTIONS

- Do not mis-use tool. Use the correct tool for your application. The correct tool will do the job better and safer at the rate for which it is designed.
- Do not use on a ladder, roof top, tree, or other unstable support. Stable footing on a solid surface enables better control of the blower in unexpected situations.
- Keep firm footing and balance. Do not overreach. Overreaching can result in loss of balance.
- Do not allow to be used as a toy. Close attention is necessary when used by or near children.
- Avoid accidental starting. Be sure the power switch is not on before plugging in.
- Do not leave the tool when plugged in. Unplug from the power outlet when not in use, before servicing, and before storing the tool. Turn off all controls before unplugging. Such preventative safety measures reduce the risk of starting the tool accidentally.
- Do not use tool if switch does not turn it on or off. Any tool that cannot be controlled with the switch is dangerous and must be repaired.
- Do not use with a damaged plug. If the tool is not working as it should or has been dropped, damaged, left outdoors, or dropped into water, take it to a qualified service dealer for inspection and possible repair.
- Keep all bystanders, children, and pets at least 50 ft. away.
- Do not operate this unit when you are tired, ill, upset or under the influence of alcohol, drugs, or medication.
- Do not operate in poor lighting.
- Do not put any object into openings. Do not use with any opening blocked; keep openings free of dust, lint, hair, and anything that may reduce air flow.
- Check the work area before each use. Remove all objects such as rocks, broken glass, nails, wire, or string which can be thrown or become entangled in the machine.
- Never use blower near fires, fireplaces, hot ashes, barbecue pits, etc., which may cause fire to spread.
- Do not pull, carry or use cord as handle, close a door on the cord, or pull cord around sharp edges or corners. Do not run appliances over cord. Keep cord away from heated surfaces.
- Do not unplug by pulling on cord. To unplug, grasp the plug, not the cord.
- Use only identical manufacturers replacement parts and accessories. Use of any other parts may create a hazard or cause product damage.
- In a double insulated appliance, two systems of insulation are provided instead of grounding. No grounding means is provided on a double insulated appliance, nor should a means for grounding be added to the appliance. Servicing a double insulated appliance requires extreme care and knowledge of the system and should be done only by qualified service personnel. Replacement parts for a double insulated appliance must be identical to the parts they replace.
- For household use only.

SPECIFIC SAFETY RULES

- Make sure your extension cord is in good condition. When using an extension cord, be sure to use one heavy enough to carry the current your product will draw. A wire gauge size (A.W.G.) of at least 14 is recommended for an extension cord 50 feet or less in length. If in doubt, use the next heavier gauge. The smaller the gauge number, the heavier the cord. An undersized cord will cause a drop in line voltage resulting in loss of power and overheating.
- Do not point the blower nozzle in the direction of people or pets.
- Never place the blower/vacuum on any surface, except a hard, clean surface when the motor is running. Gravel, sand, and other debris can be picked up by the air inlet and thrown at the operator or bystanders, causing possible serious injuries.

IMPORTANT SAFETY INSTRUCTIONS


- Never run the unit without the proper equipment attached. Always ensure the blower tubes are installed.
- When not in use, the blower/vacuum should be stored indoors in a dry, locked up place, out of the reach of children.
- Maintain tool with care. Keep fan area clean for best and safest performance. Follow instructions for proper maintenance.
- Do not attempt to clear clogs from tool without first unplugging it.
- If the power supply cord is damaged, stop using the unit. Take the unit to a qualified service dealer for inspection and possible repair.

DOUBLE INSULATION



WARNING

The double insulated system is intended to protect the user from shock resulting from a break in the tool's internal insulation. Observe all normal safety precautions to avoid electrical shock.

The blower is double insulated to provide a double  thickness of insulation between you and the tool's electrical system. All exposed metal parts are isolated from the internal metal motor components with protective insulation.

NOTE: Servicing of a product with double insulation requires extreme care and knowledge of the system and should be performed only by a qualified service technician. Take the unit to a qualified service dealer for inspection and possible repair using only identical replacement parts.



WARNING

USE ONLY IDENTICAL REPLACEMENT PARTS WHEN SERVICING THE BLOWER TO AVOID INJURY.



WARNING

DOUBLE INSULATION DOES NOT TAKE THE PLACE OF NORMAL SAFETY PRECAUTIONS WHEN OPERATING THIS BLOWER.



WARNING

THIS BLOWER IS FOR OUTDOOR USE ONLY. DO NOT EXPOSE TO RAIN OR USE IN DAMP LOCATIONS.

IMPORTANT SAFETY INSTRUCTIONS

ELECTRICAL CONNECTION

This product has a precision-built electric motor. It should be connected to a power supply that is 120 volts, AC only (normal household current), 60 Hz. Do not operate this product on direct current (DC). A substantial voltage drop will cause a loss of power and the motor will overheat. If your product does not operate when plugged into an outlet, double-check the power supply.

GFCI

Ground Fault Circuit Interrupter (GFCI) protection should be provided on the circuit(s) or outlet(s) to be used for the product. Receptacles are available having built-in GFCI protection and may be used for this measure of safety.

GUIDELINES FOR USING EXTENSION CORDS

USE THE PROPER EXTENSION CORD. Make sure your extension cord is in good condition. When using an extension cord, be sure to use one heavy enough to carry the current your product will draw. An undersized cord will cause overheating. The table below shows the correct size to use depending on cord length and nameplate ampere rating. If in doubt, use the next heavier gauge. The smaller the gauge number, the heavier the cord.

**Minimum Gauge for Extension Cords (AWG)
(Using 120 V only)**

120V		Total Length of Cord in Feet (meters)			
		25ft (7.62m)	50ft (15.24m)	100ft (30.48m)	150ft (45.72m)
Ampere Rating		AWG			
More Than	Not More Than				
0	6	18	16	16	14
6	10	18	16	14	12
10	12	16	16	14	12
12	16	14	12	Not Recommended	

Make sure your extension cord is properly wired and in good electrical condition. Always replace a damaged extension cord or have it repaired by a qualified person before use. Keep extension cords away from sharp objects, excessive heat and damp or wet areas.

Use a separate electrical circuit for your tools. This circuit should comprise at least a 12 gauge wire and should be protected with a 15 A time-delayed fuse. Before connecting the motor to the power line, make sure the switch is in the OFF position and the electric current is identical to that stamped on the motor nameplate. Running at a lower voltage will damage the motor.

WARNING

SAVE THESE INSTRUCTIONS.

ALTHOUGH THIS TOOL IS DOUBLE INSULATED, THE EXTENSION CORD AND RECEPTACLE MUST STILL BE GROUNDED WHILE IN USE TO PROTECT THE OPERATOR FROM ELECTRICAL SHOCK.

IMPORTANT SAFETY INSTRUCTIONS



WARNING













Check extension cords before each use. If damaged replace it immediately. Never use a product with a damaged cord since touching the damaged area could cause electrical shock resulting in serious injury.

SAVE THESE INSTRUCTIONS

Refer to them frequently and use them to instruct others who may use this tool. If you loan someone this tool, loan them these instructions also.




SYMBOLS

Some of the following symbols may be used on this product. Please study them and learn their meaning. Proper interpretation of these symbols will allow you to operate the product better and safer.

SYMBOL	NAME	DESIGNATION/EXPLANATION
V	Volts	Voltage
A	Amperes	Current
Hz	Hertz	Frequency(cycles per second)
W	Watt	Power
min	Minutes	Time
~	Alternating Current	Type of current
≡	Direct Current	Type or a characteristic of current
	Class II Construction	Double-insulated construction
	Safety Alert	Indicates a potential personal injury hazard.
	Read The Operator's Manual	To reduce the risk of injury user must read and understand Operator's Manual before using this product.
	Eye and Hearing Protection	Always wear eye protection with side shields marked to comply with ANSI Z87.1, along with hearing protection.
	Wet Conditions Alert	Do not expose to rain or use in damp locations.
	Keep Bystanders Away	Keep all bystanders at least 50ft. away.
	Gloves	Wear non-slip, heavy-duty protective gloves when handling this equipment.
	Safety Footwear	Wear non-slip safety footwear when using this equipment.
	Electric Shock	Failure to use in dry conditions and to observe safe practices can result in electric shock.
	Long Hair	Failure to keep long hair away from the air inlet could result in personal injury.
	Blower Tubes	Do not operate without tubes in place.
	Loose Clothing	Failure to keep loose clothing from being drawn into air intake could result in personal injury.

SYMBOLS

The following signal words and meanings are intended to explain the levels of risk associated with this product.

SYMBOL	SIGNAL	MEANING
	DANGER	Indicates an imminently hazardous situation, which, if not avoided, will result in death or serious injury.
	WARNING	Indicates a potentially hazardous situation, which, if not avoided, could result in death or serious injury.
	CAUTION	Indicates a potentially hazardous situation, which, if not avoided, may result in minor or moderate injury.
	NOTICE	(Without Safety Alert Symbol) Indicates a situation that may result in property damage.

SERVICE

Service requires extreme care and knowledge and should be performed only by a qualified service technician. When servicing, use only identical replacement parts.


For troubleshooting or replacement, please call Customer Service for assistance (Toll free number 866-384-8432).

WARNING

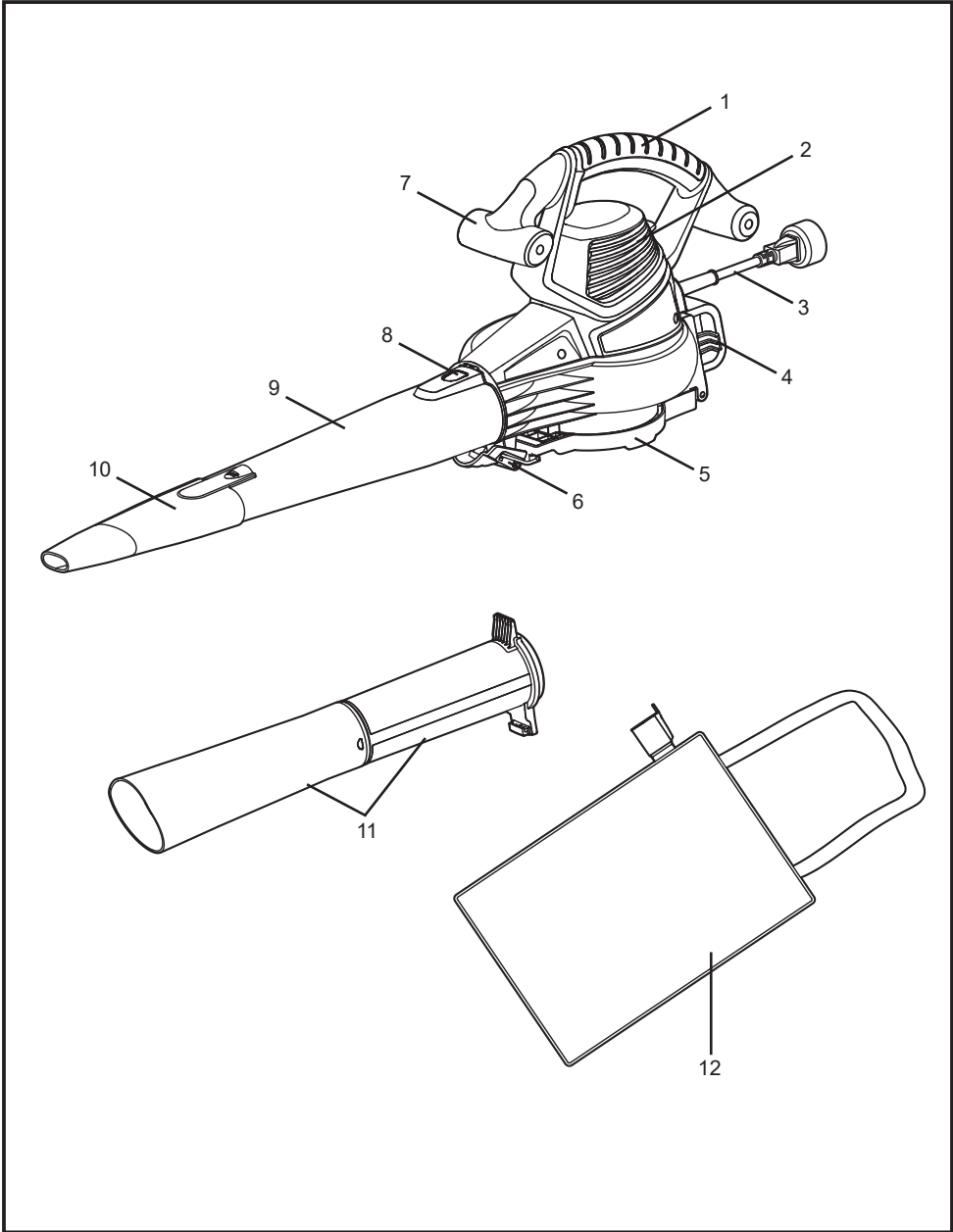
To avoid serious personal injury, do not attempt to use this product until you have read thoroughly and understand the Operator's Manual completely.

If you do not understand the warnings and instructions in the Operator's Manual, do not use this product. Call Customer Service for assistance (Toll free number 866-384-8432).

WARNING

 The operation of any power tool can result in foreign objects being thrown into your eyes, which can result in severe eye damage. Before beginning power tool operation, always wear safety goggles or safety glasses with side shields and, when needed, a full-face shield. We recommend Wide Vision Safety Mask for use over eyeglasses or standard safety glasses with side shields. Always use eye protection which is marked to comply with ANSI Z87.1.

KNOW YOUR BLOWER



KNOW YOUR BLOWER

Components

- | | |
|-------------------------------|--------------------------------|
| 1. Main Handle | 9. Blower Tube |
| 2. ON/OFF Switch | 10. Concentrator Nozzle |
| 3. Power Cord | 11. Vacuum Tubes (Upper/Lower) |
| 4. Cord Retainer | 12. Collection Bag with |
| 5. Mulch/Vacuum Gate | Connector Neck |
| 6. Gate Latching Lock | |
| 7. Additional Grip | |
| 8. Blower Tube Release Button | |

KNOW YOUR PRODUCT

The safe use of this product requires an understanding of the information on the product and in this Operator's Manual as well as a knowledge of the project you are attempting. Before use of this product, familiarize yourself with all operating features and safety rules.

MAIN BLOWER TUBE

The main blower tube can be easily installed on the blower without any additional tools.

VACUUM TUBES

The vacuum tubes can be added without any additional tools to provide space for mulching and vacuuming functionality.

DUST BLOCKER COLLECTION BAG

This Blower/Vacuum includes a Dust Blocker Collection Bag that reduces the amount of dust when vacuuming.

SECURE LATCHING GATE LOCK

The latching gate lock assists in keeping gate from accidentally opening during operations.

ASSEMBLY

UNPACKING

This product requires assembly.

- Carefully remove the product and any accessories from the box. Make sure that all items listed in the packing list are included.
- Inspect the product carefully to make sure no breakage or damage occurred during shipping.
- Do not discard the packing material until you have carefully inspected and satisfactorily operated the product.
- If any parts are damaged or missing, please call Customer Service (Toll free number 866-384-8432).

PACKING LIST

- (1) Blower
- (1) Blower Tube
- (1) Concentrator Nozzle
- (1) Vacuum Tubes (Upper/Lower)
- (1) Collection Bag with Connector Neck
- (1) Operator's Manual



WARNING

Do not use this product if any parts on the Packing List are already assembled to your product when you unpack it. Parts on this list are not assembled to the product by the manufacturer and require customer installation. Use of a product that may have been improperly assembled could result in serious personal injury.



WARNING

If any parts are damaged or missing, do not operate this product until the parts are replaced. Failure to pay attention to this warning could result in serious personal injury.



WARNING

Do not attempt to modify this product or create accessories not recommended for use with this product. Any such alteration or modification is misuse and could result in hazardous conditions leading to possible serious personal injury.

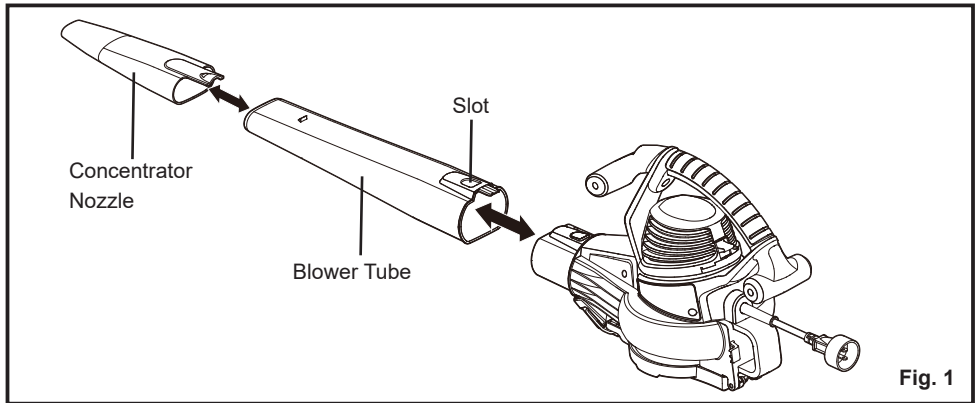
ASSEMBLY

WARNING

Do not connect to a power supply until assembly is complete. Failure to comply could result in accidental starting and possible serious personal injury.

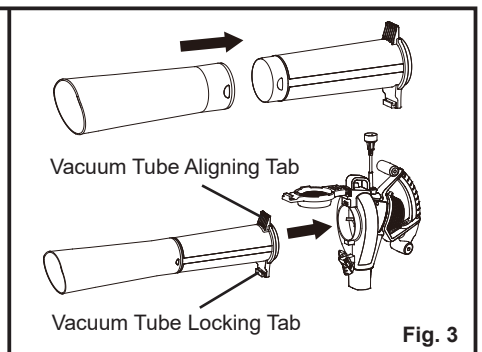
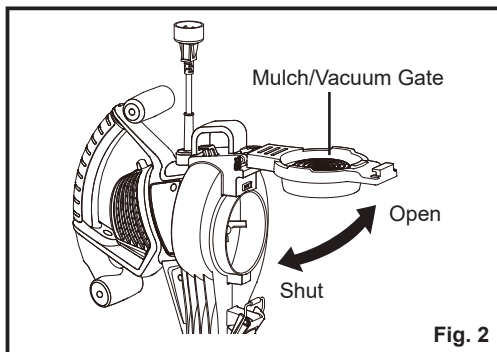
ASSEMBLING THE BLOWER TUBE (Fig. 1)

1. Slide blower tube forward until the tab on the blower housing clicks into the slot on the tube.
2. Insert the concentrator nozzle onto the blower tube to lock. A concentrator nozzle is used to increase air flow in tight areas: flower beds, under decks, etc.



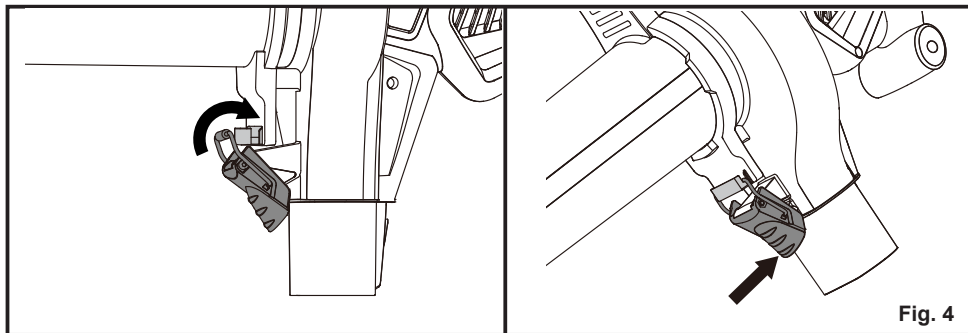
INSTALLING VACUUM TUBE AND COLLECTION BAG WITH SHOULDER STRAP

1. Assemble the vacuum tube sections by aligning and sliding upper tube into the lower vacuum tube until the different size tabs have "set".
2. Open the mulch/vacuum gate (Fig. 2).
3. With the gate open, align tabs on vacuum tube with opening inside the gate (Fig. 3).

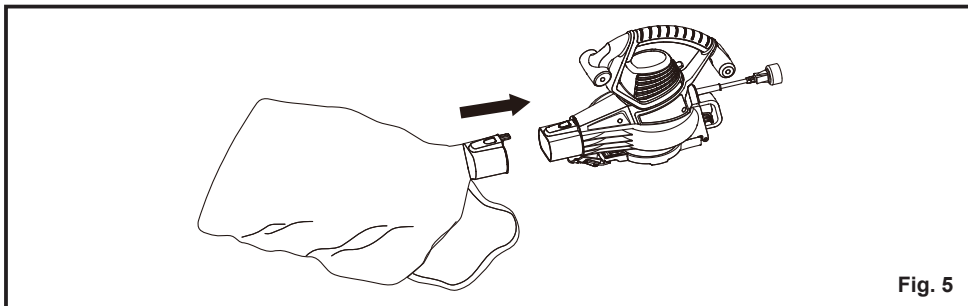


ASSEMBLY

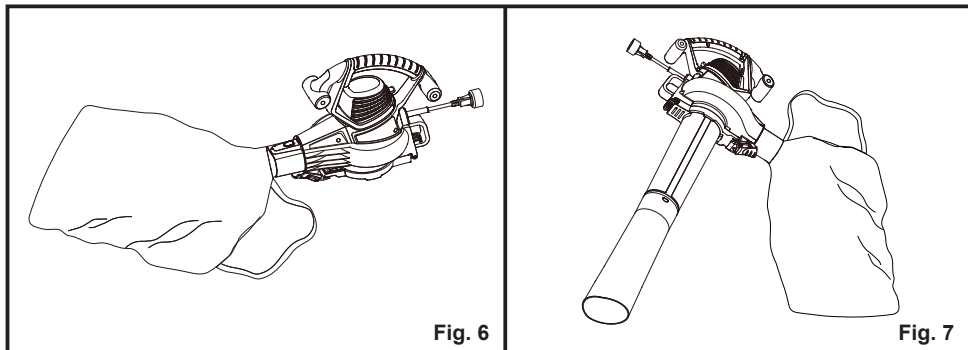
4. With the assembled vacuum tube properly aligned, insert into the aligned gate opening and using the latching gate lock, lock vacuum tube into place. Make certain the vacuum tube aligning tab is firmly "seated" before locking the latch (Fig. 4).



5. Add collection bag by aligning the plastic connector sleeve on the bag to the blower exhaust (Fig. 5).



6. While standing in the operating position, adjust the length to fit the operator's size. Pull the tab to lengthen, pull the strap to shorten (Fig. 6 & 7).



OPERATION



WARNING

Do not allow familiarity with this type of product to make you careless. Remember that a careless fraction of a second is sufficient to inflict serious injury.



WARNING

Always wear eye protection with side shields marked to comply with ANSI Z87.1, along with hearing protection. Failure to do so could result in objects being thrown into your eyes, resulting in possible serious injury.



WARNING

Do not use any attachments or accessories not recommended by the manufacturer of this product. The use of attachments or accessories not recommended can result in serious personal injury.

APPLICATIONS

You may use this product for the purposes listed below:

1. Clearing leaves and other yard debris from your lawn.
2. Keeping decks, patios, garages and driveways free from leaves, pine needles and other debris.

STARTING/STOPPING THE BLOWER/VACUUM

1. Lock up mulch/vacuum gate for the blower.
2. Attach the outlet end of an extension cord to the plug on the rear of the blower/vacuum's power cord.

NOTE: Use only an approved outdoor extension cord as described previously in this manual.

3. Route the extension cord through the side of the loop located on the rear of the blower housing and place underneath the cord retainer (Fig. 8).

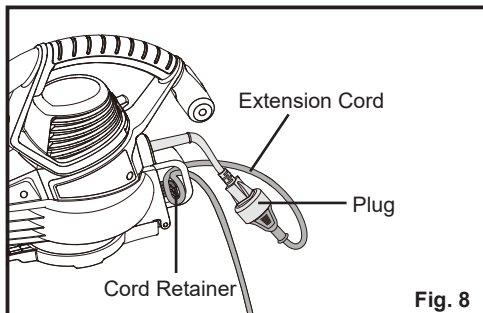
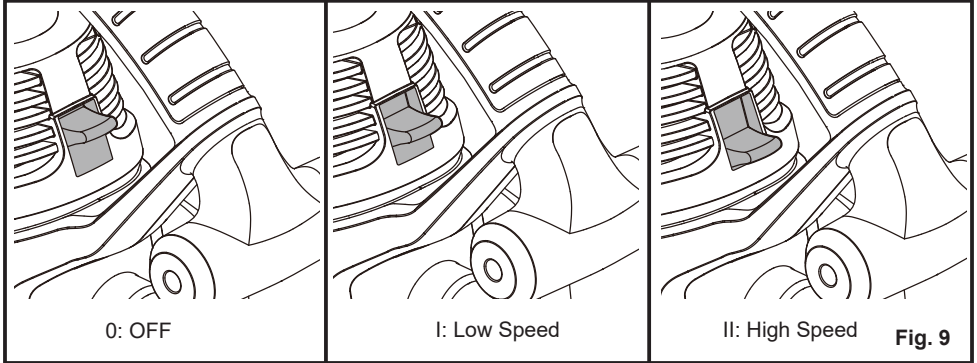


Fig. 8

OPERATION

4. To start the blower/vacuum, place the ON/OFF switch on I (Low Speed) or II (High Speed) position (Fig. 9).
5. To stop the blower/vacuum, place the ON/OFF switch in 0 (OFF) position (Fig. 9).



OPERATING THE BLOWER/VACUUM

1. To keep from scattering debris, blow around the outer edges of a debris pile. Never blow directly into the center of a pile.
2. To reduce sound levels, limit the number of pieces of equipment used at any one time.
3. Use rakes and brooms to loosen debris before blowing. In dusty conditions, slightly dampen surfaces when water is available.
4. Watch out for children, pets, open windows, or freshly washed cars, and blow debris safely away.
5. During operation, hold the device with one hand on the main handle and the other on the additional grip (Fig. 10).



OPERATION

6. Operate power equipment at reasonable hours only - not early in the morning or late at night when people might be disturbed. Comply with the times listed in local ordinances.
7. After using blowers or other equipment, CLEAN UP! Dispose of debris properly.
8. This blower is equipped with Overheating Protection for consumer safety. If the tool overheats or the current is high, the tool will automatically shut-off. Turn the tool off and unplug. It will take several minutes for the tool to revert to its normal temperature, at which point it can be restarted.

EMPTYING OF COLLECTION BAG

1. Switch off the tool and disconnect the plug.
2. Wait until the impeller fan comes to a standstill before removing the collection bag from the tool.
3. Open the zipper of the collection bag and empty it completely (Fig.11).

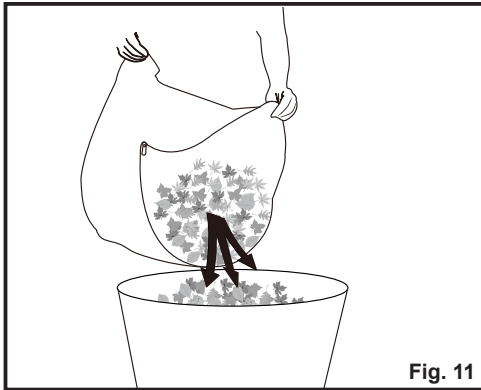


Fig. 11

MAINTENANCE



WARNING

When servicing, use only identical replacement parts. Use of any other parts may create a hazard or cause product damage.



WARNING

Always wear eye protection with side shields marked to comply with ANSI Z87.1, along with hearing protection. Failure to do so could result in objects being thrown into your eyes, resulting in possible serious injury.



WARNING

Before inspecting, cleaning or servicing the machine, unplug the power cord and wait for all moving parts to stop. Failure to follow these instructions can result in serious personal injury or property damage.

GENERAL MAINTENANCE

1. Brush or blow dust and debris out of the air vents using compressed air or a vacuum. Keep the air vents free of obstructions, sawdust, and wood chips. Do not spray, wash, or immerse the air vents in water.
 2. Wipe off the housing and the plastic components using a moist, soft cloth. Do not use strong solvents or detergents on plastic housing or plastic components. Certain household cleaners may cause damage, and may cause a shock hazard.
-



WARNING

Do not at any time let brake fluids, gasoline, petroleum-based products, penetrating oils, etc., come in contact with plastic parts. Chemicals can damage, weaken or destroy plastic, which may result in serious personal injury.

STORAGE (1 MONTH OR LONGER)

1. Clean all foreign materials from the blower.
 2. Store indoors in a place that is out of reach of children. Keep away from corrosive agents such as garden chemicals and de-icing salts.
-

TROUBLESHOOTING

Suspected malfunctions are often due to causes that the user can fix themselves.

Therefore, check the product using this section. In most cases the problem can be solved quickly.

WARNING

Only perform the steps described within these instructions!

All further inspection, maintenance and repair work must be performed by an authorized service center or a similarly qualified specialist if you cannot solve the problem yourself!

PROBLEM	POSSIBLE CAUSE	SOLUTION
The blower will not blow or suck debris.	The bag is full.	Empty the bag.
	The tube is blocked.	Clear the blockage.
	Blocked impeller.	Clear the blockage.
	The bag is dirty or torn.	Clean or replace the bag.
	The bag is unzipped.	Zip up the bag.
	The plug is not connected.	Connect the plug.
	Motor is overheated or overcurrented.	Turn the tool off and wait several minutes for the motor to cool down.
Motor fails to start when On/Off switch is turned on.	The blower is unplugged.	Check the cord to make sure it is plugged into an electrical outlet.
	On/Off switch is in the OFF position.	Slide the switch to high or low.
	Defective On/Off switch.	Call Customer Service for assistance (Toll free number 866-384-8432).
	Vacuum tubes are not correctly installed.	Check vacuum tubes to ensure that they are correctly installed allowing the switch to be engaged.
	Vacuum gate/port is not closed.	Ensure that port/cover is fully closed and locked.
	House circuit may have tripped.	Check wall circuit breaker panel and reset if necessary.
	Motor is overheated or overcurrented.	Turn the tool off and wait several minutes for the motor to cool down.

LAWNMASTER® WARRANTY

We take pride in producing a high quality, durable product. This LawnMaster® product carries a limited two (2) year warranty against defects in workmanship and materials from date of purchase under normal household use. If product is to be used for commercial, industrial or rental use, a 30 day limited warranty will apply. Warranty does not apply to defects due to direct or indirect abuse, negligence, misuse, accidents, repairs or alterations and lack of maintenance. Please keep your receipt/packing list as proof of purchase. This warranty gives you specific legal rights, and you may have other rights, which vary from state to state. For product service call Customer Service at 1-866-384-8432.

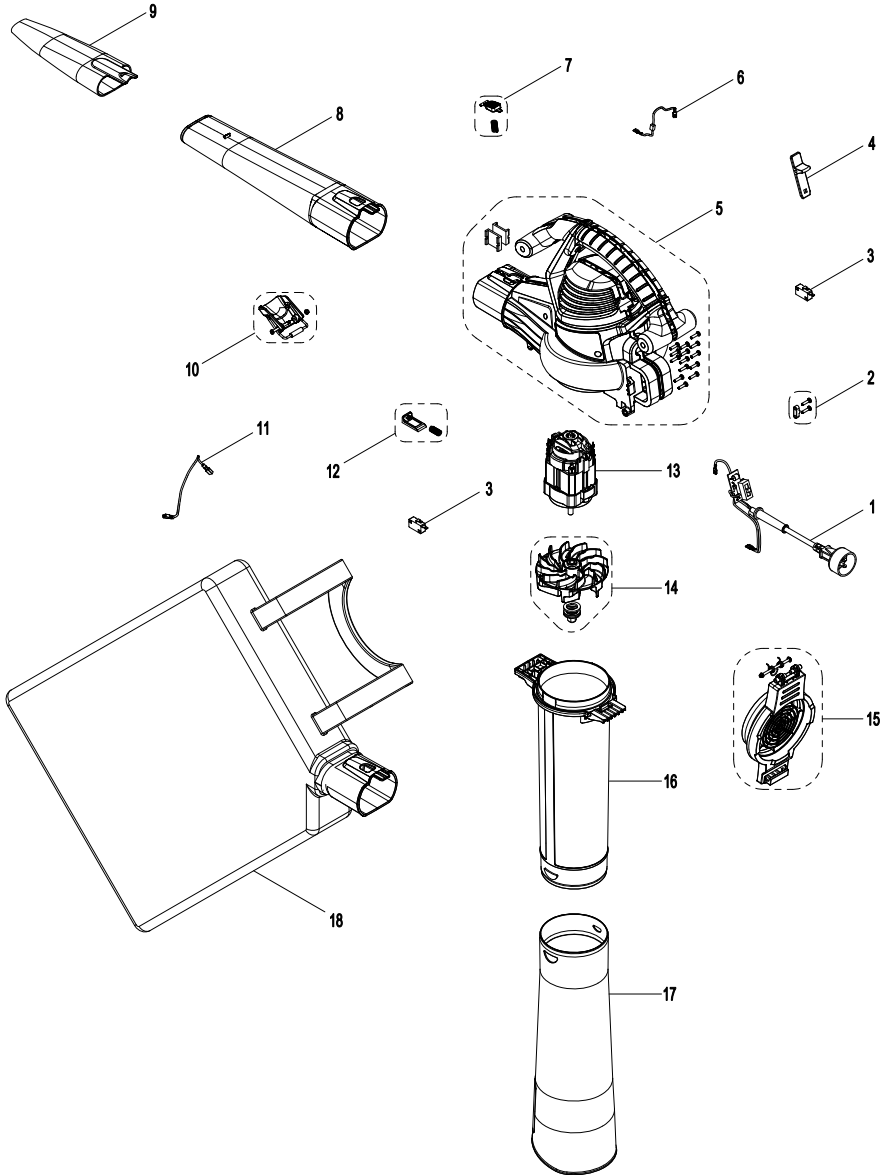
Items not covered by warranty :

1. Any part that has become inoperative due to misuse, commercial use, abuse, neglect, accident, improper maintenance, or alteration;
2. The unit, if it has not been operated and/or maintained in accordance with the owner's manual;
3. Normal wear, except as noted below;
4. Routine maintenance items such as lubricants;
5. Normal deterioration of the exterior finish due to use or exposure;

Transportation Charges : Transportation charges for the movement of any power equipment unit or attachment are the responsibility of the purchaser. It is the purchaser's responsibility to pay transportation charges for any part submitted for replacement under this warranty unless such return is requested in writing by LawnMaster®.

SAVE YOUR RECEIPTS. THIS WARRANTY IS VOID WITHOUT THEM.

EXPLODED VIEW



PARTS LIST

Key Number	Part Number	Description	Quantity
1		Power Cord Assembly	1
2		Cable Clamp Assembly	1
3		Micro Switch	2
4		Switch Push Button	1
5		Motor Housing Assembly	1
6		Thermostat	1
7		Button Assembly	1
8		Blower Tube Assembly	1
9		Concentrator Nozzle	1
10		Latch Assembly	1
11		Lead Wire Unit	1
12		Switch Push Plate Assembly	1
13		Motor Assembly	1
14		Fan Blade Assembly	1
15		Air Intake Cover Assembly	1
16		Rear Vacuum Tube	1
17		Front Vacuum Tube	1
18		Collection Bag Assembly	1

Replacement parts highlighted in grey are available for after sales purchase. Replacement of repair or internal parts should only be done by a qualified service professional. Please contact your authorized service dealer or Customer Service at 866-384-8432.

