

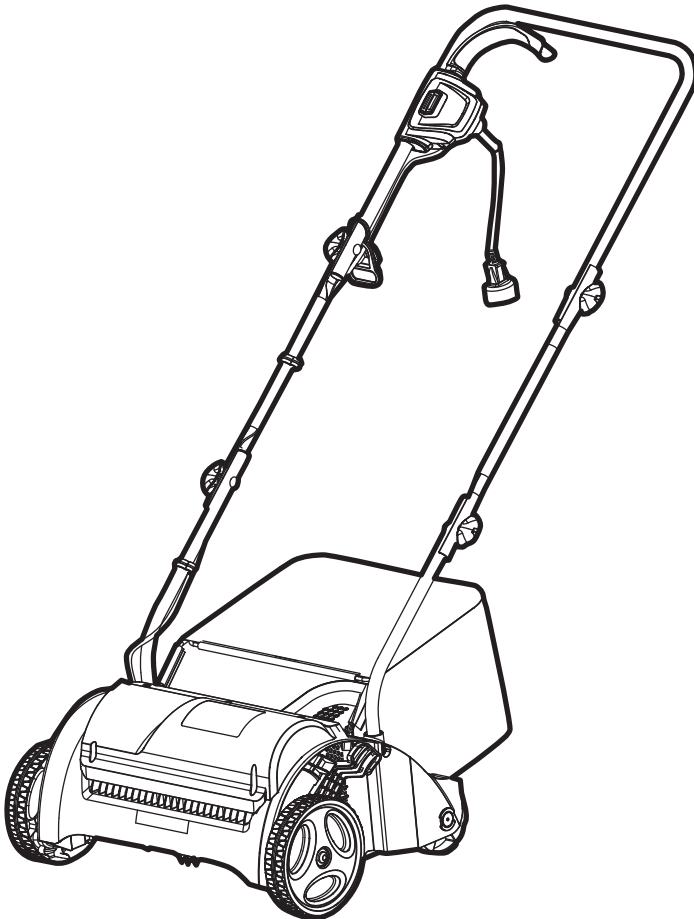
LawnMaster®

Operator's Manual

EN p. 2

13" 12 Amp Scarifier and Lawn Dethatcher GV1212B Combo

Save this manual for future reference



Read all safety rules and instructions carefully before operating this tool.

Distributed By

Suzhou Cleva Electric Appliance Co., Ltd. NO.8 Ting Rong Street 215122 Suzhou - China



TABLE OF CONTENTS

Section	Page
TABLE OF CONTENTS	2
SPECIFICATIONS	3
IMPORTANT SAFETY INSTRUCTIONS	4-8
SYMBOLS	9-10
KNOW YOUR SCARIFIER/DETHATCHER	11
ASSEMBLY	12-15
OPERATION	16-20
MAINTENANCE	21-22
TROUBLESHOOTING	23-24
LAWNMASTER® WARRANTY	25
EXPLODED VIEW	26
PARTS LIST	27

SPECIFICATIONS

SCARIFIER/DETHATCHER GV1212B Combo

Voltage	120 V ~ 60 Hz
Current	12 A
Motor Speed	3400 RPM
Deck Width	13 inch (321.6 mm)
Cutting Width	12 inch (305 mm)
Height Adjustment	19 positions: -0.39 -0.19 inch (-10 -5 mm) for Scarifier Cylinder 19 positions: -0.19 -0.39 inch (-5 -10 mm) for Dethatcher Cylinder
Collection Bag Capacity	7.4 gallon (28 liters)
Wheel Size	3.9 inch (100 mm) / 6.7 inch (170 mm)
Unit Weight	24.69 lbs (11.2 kg)

IMPORTANT SAFETY INSTRUCTIONS



WARNING

READ AND UNDERSTAND ALL INSTRUCTIONS.

Failure to follow all instructions listed below and, on the tool, may result in electric shock, fire, and/or serious personal injury.

INTRODUCTION

This product has many features for making its use more pleasant and enjoyable.

Safety, performance, and dependability have been given top priority in the design of this product making it easy to maintain and operate.



WARNING

This symbol indicates important safety instructions. If these instructions are not followed, it could endanger the personal safety and/or property of the operator and others. Read and understand all instructions in this manual before attempting to operate the scarifier/dethatcher. Failure to comply with these instructions may result in personal injury.

TRAINING AND PREPARATION

- Read this Operator's Manual carefully in its entirety before attempting to assemble this tool. Read, understand, and follow all instructions on the tool and in the manual before operating it. Keep this manual in a safe place for future and regular reference and for ordering replacement parts.
 - Be completely familiar with the proper use of this tool before operating it.
 - Only allow operators, who are responsible, trained, familiar with the instructions, and physically capable to operate the tool.
 - Keep the area of operation clear of all persons, particularly small children, and pets. Stop the tool and attachment(s) if anyone enters the working area.
 - Wear appropriate personal protective equipment such as safety glasses, hearing protection, and footwear.
 - Dress properly. Do not wear loose clothing or jewelry. They can be caught in moving parts. Use of rubber gloves and footwear is recommended when working outdoors.
 - Clear the operating area of any objects which could be thrown by or interfere with operation of the tool.
 - Avoid operating the tool on wet grass. Poor footing could cause a slip and fall accident.
 - Do not operate the tool under any condition where traction, steering, or stability is uncertain. Tires could slide even if the wheels are stopped.
 - Use the scarifier/dethatcher for the correct purpose. Do not use the tool for any job except that for which it is intended.
 - To reduce the risk of electric shock, this tool has a polarized plug (one blade is wider than the other) and will require the use of a polarized extension cord. The tool plug will fit into a polarized extension cord only one way.
 - If the plug does not fit fully into the extension cord, reverse the plug. If the plug still does not fit, obtain a correct polarized extension cord. A polarized extension cord will require the use of a polarized wall outlet. This plug will fit into the polarized wall outlet only one way. If the plug does not
-

IMPORTANT SAFETY INSTRUCTIONS

fit fully into the wall outlet, reverse the plug. If the plug still does not fit, contact a qualified electrician to install the proper wall outlet. Do not change the equipment plug, extension cord receptacle, or extension cord plug in any way.

- Make sure your extension cord set is in good condition. When using an extension cord, be sure to use one heavy enough to carry the current your product will draw. For lengths less than 50 feet, a No. 14 AWG extension cord should be used. An undersized cord will cause a drop in line voltage resulting in loss of power and overheating.
- Store idle scarifier/dethatcher indoors. When not in use, the tool should be stored in an indoor dry and locked-up place-out of reach of children.
- Maintain the tool with care. Keep cutting edges sharp and clean for best and safest performance.

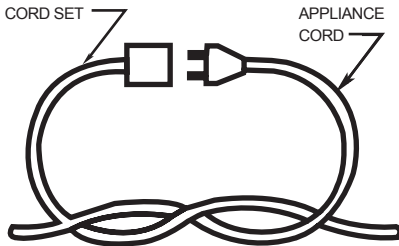
OPERATION

- Only operate the equipment in daylight or good artificial light.
- Do not put hands or feet near under rotating parts or the scarifier/dethatcher. Keep clear of the discharge opening at all times.
- Avoid holes, ruts, bumps, rocks, or other hidden hazards. Uneven terrain could overturn the tool, or cause operator to lose their balance or footing.
- Do not direct discharge material toward anyone. Avoid discharging material against a wall or obstruction. Material may ricochet back toward the operator.
- Always wear safety glasses with side shields. Everyday glasses have only impact resistant lenses. They are NOT safety glasses. Following this rule will reduce the risk of eye injury. Use a face mask if operation is dusty.
- Wear safety glasses or goggles that are marked to comply with ANSI Z87.1 standard when operating this tool.
- Always be sure of your footing. A slip and fall can cause serious personal injury.
- Do not operate the tool in reverse unless absolutely necessary. Always look down and behind before and while backing.
- Always be sure the cylinder has stopped after releasing switch lever and unplugging before removing and replacing collection bag, cleaning, servicing, transporting or lifting the scarifier/dethatcher.
- Stay behind the handle when the motor is running.
- Do not force the tool. It will do the job better and safer at the rate for which it was designed.
- Stop the motor and disconnect the plug from power source whenever leaving the equipment, before cleaning the scarifier/dethatcher housing, and before making any repairs or inspections.
- Do not operate the tool on excessively steep slopes.
- Avoid starting and stopping on slopes. Avoid making sudden changes in speed or direction. Make turns slowly and gradually.
- Stay alert. Watch what you are doing. Use common sense. Do not operate the scarifier/dethatcher when you are tired.
- Do not overreach. Keep proper footing and balance at all times.
- Do not abuse the cord. Never use the cord to pull the tool or to disconnect the plug from an outlet. Keep cord away from heat, oil, sharp edges, or moving parts. Replace damaged cords immediately. Damaged cords increase the risk of electric shock.
- Do not make the equipment overload, such as scarify too deep or operate at a very high speed.
- Only use parts and accessories made for this tool by the manufacturer. Failure to do so can result in personal injury.
- Thoroughly inspect the area where the equipment is to be used and remove all stones, sticks, wires, bones, and other foreign objects.

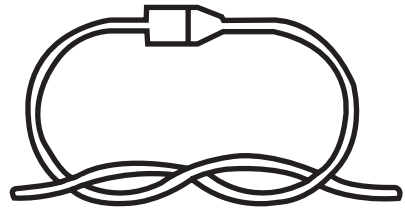
IMPORTANT SAFETY INSTRUCTIONS

- Never attempt to make a wheel height adjustment while the motor is running.
- To reduce the likelihood of disconnection of scarifier/dethatcher cord from the cord set during operation, make a knot as shown below, or use one of the plug-receptacle retaining straps or connectors described in this manual.

Method of securing cord set



(A) TIE CORD AS SHOWN



(B) CONNECT PLUG AND RECEPTACLE

S1036A

OPERATING THE SCARIFIER/DETHATCHER ON A SLOPE



CAUTION

Slopes are a major factor related to slip and fall accidents, which can result in severe injury. Operation on slopes requires extra caution. If you feel uneasy on a slope, do not operate this tool.

- Scarify/dethatch across the face of slopes; never up and down. Exercise caution when changing direction on slopes.
- Watch for holes, ruts, rocks, hidden objects, or bumps which can cause you to slip or trip.
- Always be sure of your footing. A slip and fall can cause serious personal injury.
- Do not mow near drop-offs, ditches, or embankments; you could lose your footing or balance.
- Do not operate the tool in wet grass. Unstable footing could cause slipping.

CHILDREN

Tragic accidents can occur if the operator is not alert in the presence of small children. Children are often attracted to the tool and the scarifying/dethatching activity. Children do not understand the dangers. Never assume that children will remain where you last saw them.

- Keep children out of the working area and under watchful care of a responsible adult other than the operator.
- Be alert and stop operating if a child or others, including pets, enter the area.
- Use extreme care when approaching blind corners, doorways, shrubs, trees, or other objects that may obscure your vision of a child who may run into the scarifier/dethatcher.
- Never allow children to operate this tool.

IMPORTANT SAFETY INSTRUCTIONS


ELECTRICAL INFORMATION



WARNING

TO AVOID ELECTRICAL HAZARDS, FIRE HAZARDS, OR DAMAGE TO THE TOOL, USE PROPER CIRCUIT PROTECTION. YOUR SCARIFIER/DETHATCHER IS WIRED AT THE FACTORY FOR 120V OPERATION. CONNECT TO A 120 V, 15 A CIRCUIT, AND USE A 15 A TIME-DELAYED FUSE OR CIRCUIT BREAKER. TO AVOID SHOCK OR FIRE, IF THE EXTENSION CORD IS WORN, CUT OR DAMAGED IN ANY WAY, REPLACE IT IMMEDIATELY.

DOUBLE INSULATED

This scarifier/dethatcher has a plug. The scarifier/dethatcher is double insulated to provide a double  thickness of insulation between you and the tool's electrical system. All exposed metal parts are isolated from the internal metal motor components with protective insulation.



WARNING

USE ONLY IDENTICAL REPLACEMENT PARTS WHEN SERVICING THE SCARIFIER/DETHATCHER TO AVOID INJURY.



WARNING

DOUBLE INSULATION DOES NOT TAKE THE PLACE OF NORMAL SAFETY PRECAUTIONS WHEN OPERATING THIS SCARIFIER/DETHATCHER.



CAUTION

ALWAYS MAKE SURE THAT YOUR OUTLET IS PROPERLY GROUNDED. IF UNCERTAIN, HAVE IT CHECKED BY A CERTIFIED ELECTRICIAN.

GUIDELINES FOR USING EXTENSION CORDS

USE THE PROPER EXTENSION CORD. Make sure your extension cord is in good condition. When using an extension cord, be sure to use one heavy enough to carry the current your product will draw. An undersized cord will cause overheating. The table below shows the correct size to use depending on cord length and nameplate ampere rating. If in doubt, use the next heavier gauge. The smaller the gauge number, the heavier the cord.

IMPORTANT SAFETY INSTRUCTIONS

Minimum Gauge for Extension Cords (AWG) (Using 120 V only)

		Total Length of Cord in Feet (meters)			
		25ft (7.62m)	50ft (15.24m)	100ft (30.48m)	150ft (45.72m)
120V					
Ampere Rating		AWG			
More Than	Not More Than				
0	6	18	16	16	14
6	10	18	16	14	12
10	12	16	16	14	12
12	16	14	12	Not Recommended	

Make sure your extension cord is properly wired and in good electrical condition. Always replace a damaged extension cord or have it repaired by a qualified person before use. Keep extension cords away from sharp objects, excessive heat and damp or wet areas.

Use a separate electrical circuit for your tools. This circuit should comprise a wire of at least 12 gauge and should be protected with a 15 A time-delayed fuse. Before connecting the motor to the power line, make sure the switch is in the OFF position and the electric current is identical to that stamped on the motor nameplate. Running at a lower voltage will damage the motor.

WARNING

SAVE THESE INSTRUCTIONS.










ALTHOUGH THIS DETHATCHER IS DOUBLE INSULATED, THE EXTENSION CORD AND RECEPTACLE MUST STILL BE GROUNDED WHILE IN USE TO PROTECT THE OPERATOR FROM ELECTRICAL SHOCK.

SAVE THESE INSTRUCTIONS




Refer to them frequently and use them to instruct others who may use this tool. If you loan someone this tool, loan them these instructions also.

SYMBOLS




Some of the following symbols may be used on this product. Please study them and learn their meaning. Proper interpretation of these symbols will allow you to operate the product better and safer.

SYMBOL	NAME	DESIGNATION/EXPLANATION
V	Volts	Voltage
A	Amperes	Current
Hz	Hertz	Frequency(cycles per second)
W	Watt	Power
hrs	Hours	Time
	Class II Construction	Double-insulated construction
	Safety Alert	Precautions that involve your safety
	 Read The Operator's Manual	To reduce the risk of injury, user must read and understand Operator's Manual before using this product.
	Ricochet	Pay attention that bystanders are not injured by objects or debris thrown out from the tool.
	Keep Bystanders Away	Keep bystanders a safe distance away from the tool.
	Sharp Tines Alert	Beware of sharp tines, keep fingers and toes away.
	 Remove Plug From Mains Before Maintenance	Remove plug from mains before maintenance, adjusting, cleaning or if the cord is entangled or damaged. Tines continue to rotate after the motor is switched off.
	Electric Shocks	Beware of electric shocks.
	 Keep power cord away	Keep power cord away from tines.

SYMBOLS

SYMBOL	NAME	DESIGNATION/EXPLANATION
	Wet Conditions Alert	Do not use the tool or leave it outdoors when it is raining.
	Wait Until All Moving Parts Completely Stop	Wait until all moving parts have stopped completely before touching them. The cutting tools may continue to rotate after the tool is switched off; rotating cutting tools can cause injury.
	Eye and Hearing Protection	Wear eye and ear protection (PPE).

The following signal words and meanings are intended to explain the levels of risk associated with this product.

SYMBOL	SIGNAL	MEANING
	DANGER	Indicates an imminently hazardous situation, which, if not avoided, will result in death or serious injury.
	WARNING	Indicates a potentially hazardous situation, which, if not avoided, could result in death or serious injury.
	CAUTION	Indicates a potentially hazardous situation, which, if not avoided, may result in minor or moderate injury.
	NOTICE	(Without Safety Alert Symbol) Indicates a situation that may result in property damage.

SERVICE

Service requires extreme care and knowledge and should be performed only by a qualified service technician. For service, we suggest you return the product to your nearest **SERVICE CENTER** for repair or call Customer Service at 866-384-8432. When servicing, use only identical replacement parts.

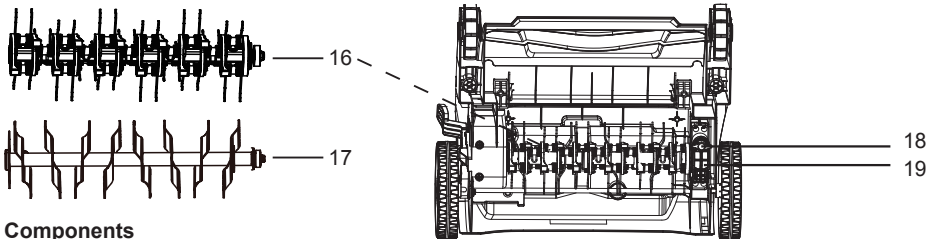
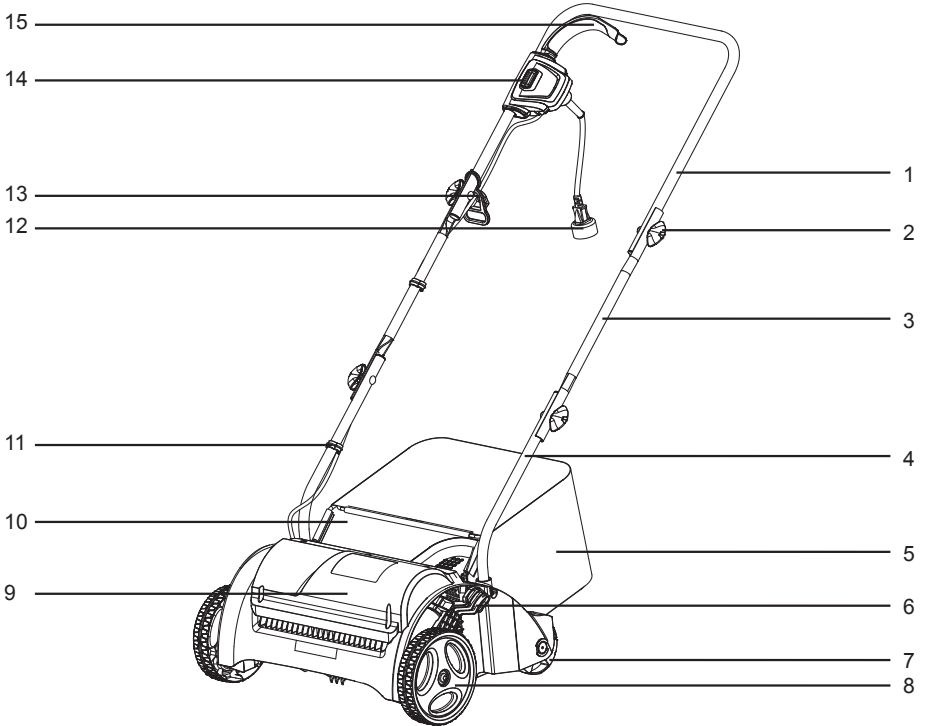
WARNING

To avoid serious personal injury, do not attempt to use this product until you read thoroughly and understand completely the Operator's Manual.

If you do not understand the warnings and instructions in the Operator's Manual, do not use this product. Call Customer Service for assistance (Toll free number 866-384-8432).

KNOW YOUR SCARIFIER/DETHATCHER

The safe use of this product requires an understanding of the information on the product and in this Operator's Manual as well as a knowledge of the project you are attempting. Before use of this product, familiarize yourself with all operating features and safety rules.



Components

- | | | |
|------------------------------------|-----------------------|----------------------------|
| 1. Upper Handle | 7. Rear Wheel | 14. Safety Switch Button |
| 2. Carriage Bolts & Wing Nuts (x4) | 8. Front Wheel | 15. Start/Stop Bale Switch |
| 3. Middle Handle | 9. Motor Cover | 16. Dethatcher Cylinder |
| 4. Lower Handle | 10. Safety Guard Flap | 17. Scarifier Cylinder |
| 5. Collection Bag | 11. Cable Clip (x2) | 18. Mounting Bolt |
| 6. Height Adjustment Lever | 12. Power Cord | 19. Bearing Cover |
| | 13. Cord Retainer | |

ASSEMBLY

This product requires assembly.

- Carefully remove the product and any accessories from the box. Make sure that all items listed in the packing list are included.
- Inspect the product carefully to make sure no breakage or damage occurred during shipping.
- Do not discard the packing material until you have carefully inspected and satisfactorily operated the product.
- If any parts are damaged or missing, Call Customer Service for assistance (Toll free number 866-384-8432).

PACKING LIST

- (1) Scarifier/Dethatcher
- (1) Upper Handle
- (2) Middle Handles
- (2) Lower Handles
- (2) Screws
- (1) Cord Retainer
- (4) Carriage Bolts
- (4) Wing Nuts
- (2) Cable Clips
- (1) Collection Bag Assembly (Bag & Metal Frame)
- (1) Dethatcher Cylinder (Pre-installed)
- (1) Scarifier Cylinder
- (1) Operator's Manual



WARNING

If any parts are damaged or missing do not operate this product until the parts are replaced. Failure to heed this warning could result in serious personal injury.



WARNING

Do not attempt to modify this product or create accessories not recommended for use with this product. Any such alteration or modification is misuse and could result in a hazardous condition leading to possible serious personal injury and will void the warranty.



WARNING

Do not connect power supply until assembly is complete. Failure to comply could result in accidental starting and possible serious personal injury.

ASSEMBLY

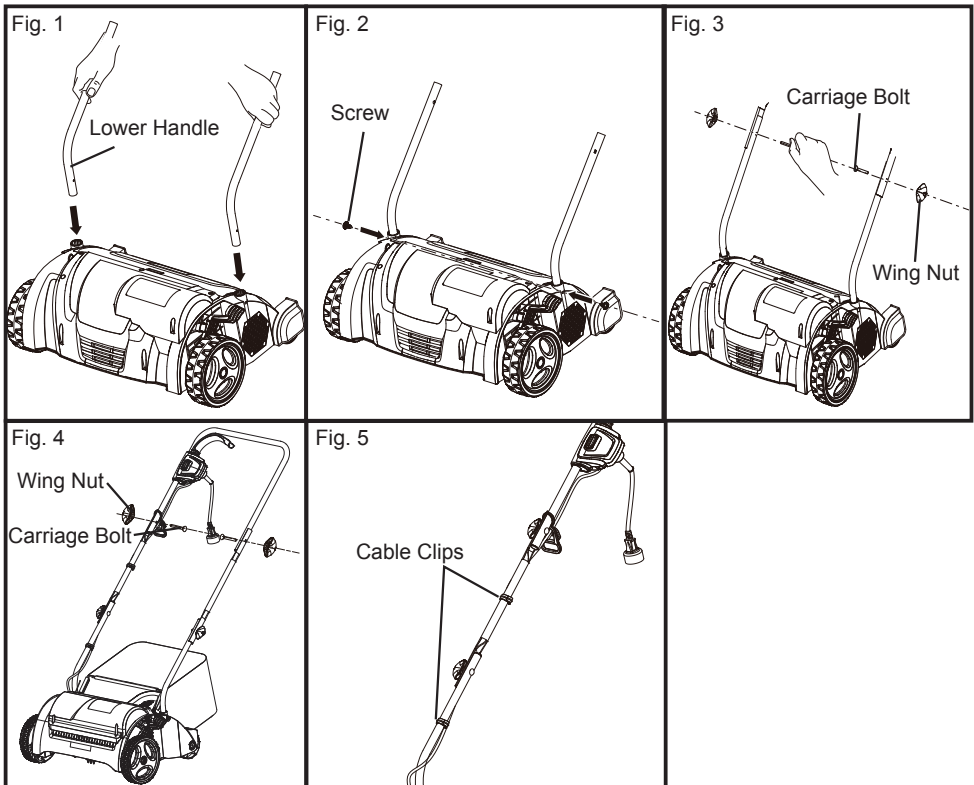
WARNING

Never operate the tool without the proper safety devices in place and working. Never operate the tool with damaged safety devices. Failure to heed this warning can result in serious personal injury.

ASSEMBLING THE HANDLE (See Figs. 1-6)

- Insert the two lower handles into the motor cover and secure them with two screws (Fig. 1 & 2).
- Secure the middle handle to the lower handle with two carriage bolts and two wing nuts (Fig. 3).
- Place the cord retainer on upper handle. Secure the upper handle to the middle handles with two carriage bolts and two wing nuts (Fig. 4).
- Use the two cable clips to attach the power cord to the handles (Fig. 5).

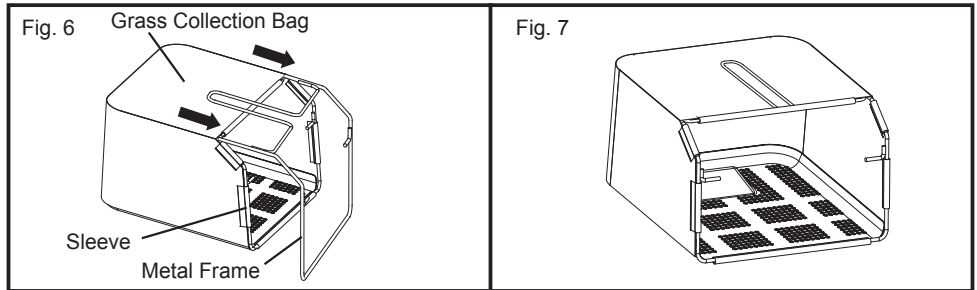
During assembly, ensure that the power cable is not squeezed and that it has sufficient play.



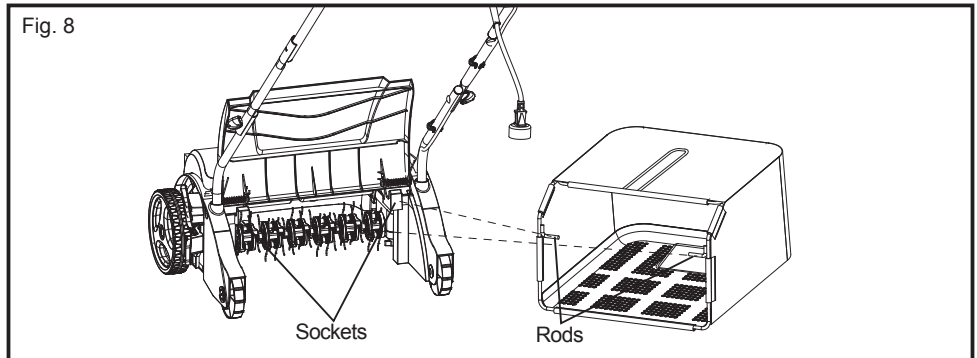
ASSEMBLY

ASSEMBLING THE COLLECTION BAG

- Check the collection bag before assembling to make sure there is no damage.
- Pull the grass collection bag over the metal frame as shown (Fig. 6).



- Pry open the soft plastic clamping sleeves and insert the metal frame into the sleeves. Ensure all sleeves are properly clamped on the frame.
- The completely assembled grass collection bag is shown as above (Fig. 7).



INSTALLING AND REMOVING THE COLLECTION BAG

NOTE: The safety flap is spring operated. Ensure you have a firm grip when opening and closing to avoid personal injury.

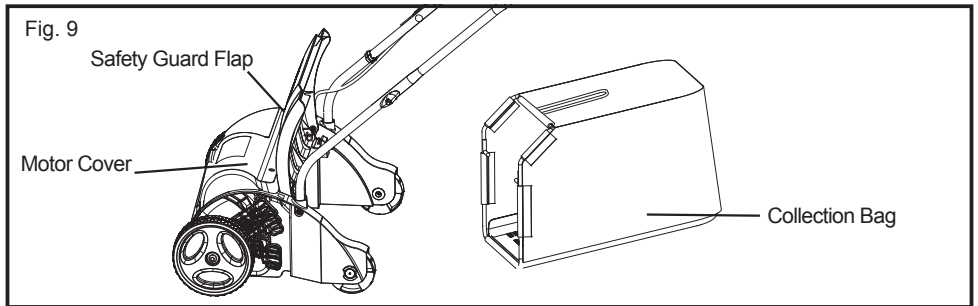
Recommendation: Work with the collection bag for dethatching and without the collection bag for scarifying.

Installing the collection bag:

- Lift the safety guard flap and hold it in position.
- Lift the collection bag by its handle and make the collection bag seated on the sockets in the motor cover (Fig. 8 & 9).

ASSEMBLY

- Release the safety guard flap.
- Make sure both rods are firmly seated on the sockets and the safety guard flap rests firmly against the top of the grass collection bag.



Removing the collection bag:

- Lift the safety guard flap and hold it in position.
- Lift the grass collection bag by its handle and remove it from the scarifier/dethatcher.
- Release the safety guard flap.

NOTE: To reduce the risk of injury, frequently inspect the bag assembly and replace if there are any signs of wear or deterioration.

OPERATION



WARNING

Do not use any attachments or accessories not recommended by the manufacturer of this product. The use of attachments or accessories not recommended can result in serious personal injury.



WARNING

Do not switch on the tool until it has been completely assembled. Before switching on the tool, always check the power cord for signs of damage. Only use an undamaged power cord.

NOTE: A damaged power cord is highly dangerous!

SETTING THE WORKING POSITIONS

The tool has 4 principal position settings:

Transport position ()

This position sets the maximum safety spacing between the tool and the floor.

Working position (1)

Set this position when working with a new tool.

Readjustment working positions (2 & 3)

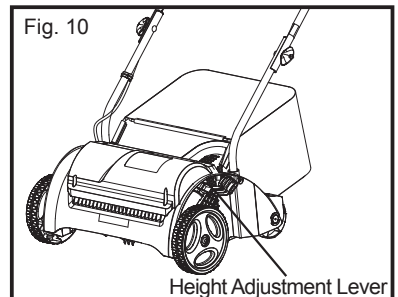
The working position can be lowered with increased knife and spring tine wear. Wear can be identified from an increasingly poor result.

NOTE: When the tool is delivered, it will be set in in the transport position.

To set the work positions:

- Check that the tool is turned off before adjusting the working position.
- Hold the tool and pull up the height adjustment lever. Turn the lever as appropriate and push it down to snap in (Fig. 10).

NOTE: The height adjustment lever is not intended for height adjustment but rather to compensate for wear. Selection of a readjustment position without the corresponding wear can overload the motor and damage the cylinder.



OPERATION

STARTING/STOPPING THE TOOL

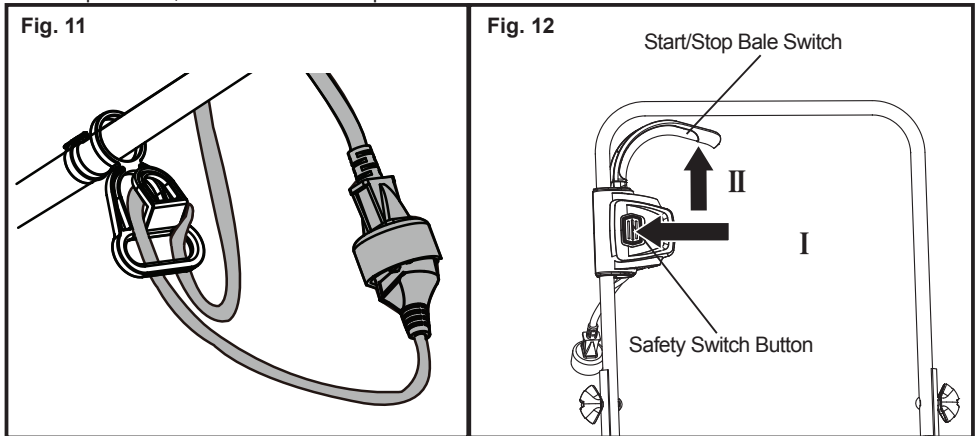
WARNING

Before switching on the tool ensure that it is not in contact with any objects. Keep your feet and hands well away from the cylinder and the ejector opening. There is possible danger of injury!

- Place the tool on a level lawn surface.
- Attach the outlet end of an extension cord to the plug on the power cord of the tool.

NOTE: Use only an approved outdoor extension cord as described previously in this manual.

- Make a loop in the extension cord. From the right side, pass the loop through the hole in the back of cord retainer and place it around the hook (Fig. 11).
- Press down the safety switch button and hold it (Fig. 12).
- Pull the start/stop bale switch toward the handle and release the safety switch button. Continue to hold the start/stop bale switch against the handle as you operate (Fig. 12).
- To stop the tool, release the start/stop bale switch.



WARNING

The cylinder continues to run for a brief period after the tool has been switched off. Do not tilt or carry the tool while the motor is still running and do not touch the cylinder while it is still rotating. There is possible danger of injury!

OPERATION

Overload Protection

This product is equipped with overload protection function, and it will be activated in the following circumstances:

1. If the cutting device is wrapped by a build-up of debris.
2. If the material scarified is larger than the motor capacity.
3. Where there is too much resistance against the cutting device.

When the circuit breaker has been activated, switch off the product and disconnect it from the power supply. Let the product cool down and clear the problem before restart it.

CHANGING THE CYLINDER

The tool has two easily exchangeable work cylinders: a dethatcher cylinder made of hard plastic with vertically rotating spring tines, and a scarifier cylinder with vertically mounted high-grade steel knives.



WARNING

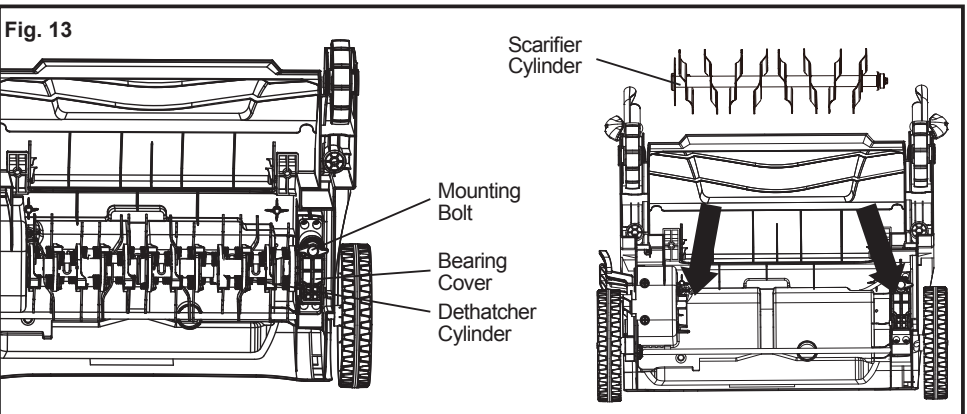
Switch off the tool, disconnect the mains plug and wait until the cylinder is standing still.



WARNING

Always wear gloves when handling the cylinder.

- Turn the tool over.
- Release the mounting bolt and fold the bearing cover away (Fig.13).
- Tilt the cylinder upwards and pull the shaft out of its seat. Pulling the shaft out of its seat may require some force initially.
- Insert the new cylinder by reversing the sequence (Fig.13). Ensure that the flattened side of the bearing shell is first inserted in the bearing.



OPERATION

USING YOUR TOOL

To maintain a well-cared for lawn it should be dethatched every 4 to 6 weeks.

Scarifying with the blade cylinder is a more intensive treatment than dethatching and should only be carried out once a year, the best time being in spring after the lawn has been mown for the first time.

How to use your scarifier

- By scarifying you remove the hardened surface, grass felt and flat-growing weeds and the crusted over grassroots are loosened up. The lawn will start to breathe again and assimilate nourishing substances such as oxygen and water. This also prevents bacteria growing in the lawn felt when the grass is dormant.
- Cut the grass to a height of about 1.57 inch (40 mm) before scarifying. The lawn must be dry when using the tool. The best time for scarifying is any time during the vegetative season, from end of April through to September. Scarify it at least once a year. We recommend using a fertilizer straight after airing if you want a healthy lawn.

How to use your dethatcher

- By dethatching you remove the dead matter, moss, and weed which disfigures a lawn. The build-up of dead grass provides a mat of absorbent fibers which prevents water getting through to the ground.
- Do not force your dethatcher through grass that is longer than 2.95 inch (75 mm). The lawn must be dry when using the tool. It's recommended that your dethatcher is used at the beginning and the end of each grass cutting season to give your lawn a thorough raking. Your dethatcher should also be used after each mowing to remove any grass clippings that may be left by your tool.



WARNING

When working on slopes always proceed across the slope. Be particularly careful when walking backwards and pulling the tool. There is possible danger of stumbling.

NOTE: The shorter the grass, the better the lawn can be treated. Furthermore, the load on the tool is less and the service life of the cylinder is prolonged.

- The tool can be operated with or without the collection bag.
Recommendation: Work with the collection bag for dethatching and without the collection bag for scarifying.
- To ensure that the safety guard flap closes properly, remove any earth that may have collected on the safety guard springs and/or the housing. When working without the bag, check that the safety guard flap is tightly closed.
- Mow the lawn to the required grass height.
- Do not use the scarifier in long grass. It may otherwise wind around the scarifier blade and result in damage to the tool.
- Select the appropriate working or readjustment position (in the event of cylinder wear) so that the tool is not overloaded.
- Commence work in the vicinity of the power socket and proceed away from the socket.
- Always ensure that the extension cable is behind you, and after turning move it to the side that has already been treated.

OPERATION

- Guide the tool at a walking pace down lanes that are as straight as possible. To ensure uninterrupted scarifying/dethatching the individual lanes should always overlap by 2 to 3 inches. Dwelling too long at the same place while the tool is running can damage the lawn.
- To ensure that the extension cable is not an impediment, turn the tool in such a manner that the cable strain release on the bar always faces the side that has been treated.
- After work and to transport the tool, disconnect the power plug and wait until the cylinder is standing still.
- Adjust the position to the transport position (0 setting) (see Setting the Working Position) when transporting the tool .
- Lift the tool to transport it oversteps and sensitive surfaces (e.g., tiles).
- Always clean the tool after each use (see Maintenance).
- After having treated lawns with dense moss growth, it is advisable to reseed the lawn so that it can regenerate itself more quickly.

MAINTENANCE



WARNING

When servicing, use only identical replacement parts. Use of any other parts may create a hazard or cause product damage.



WARNING

Always wear gloves when handling the cylinder.



WARNING

Prior to all maintenance and cleaning work always switch off the tool, disconnect the plug from the power socket and wait until the cylinder is standing still.

GENERAL MAINTENANCE



WARNING

Do not jet water onto the tool and do not clean it under flowing water. This would result in the danger of an electric shock and the tool could be damaged.



WARNING

Do not use any attachments or accessories not recommended by the manufacturer of this product. The use of attachments or accessories not recommended can result in serious personal injury.

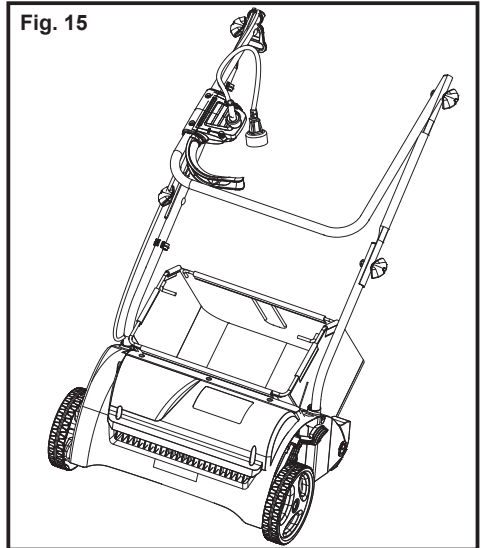
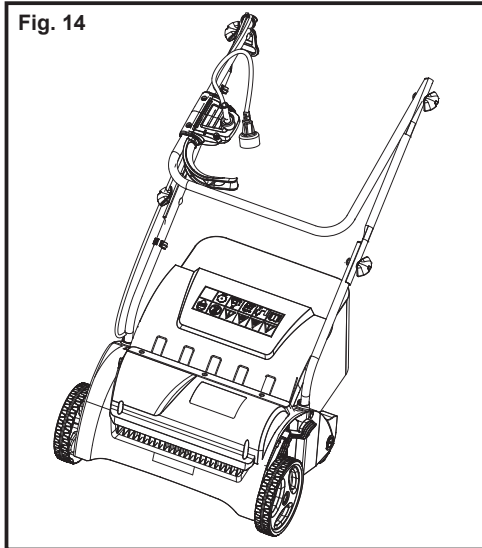
- When the tool is unplugged and all parts are no longer moving, remove debris adhering to the wheels, inside the ventilation opening, the grass ejector opening and the cylinder. Do not use hard or pointed objects for this purpose as they could damage the tool.
 - To ensure that the safety guard flap closes properly, remove any earth that may have collected on the safety guard springs and/or the housing.
 - Completely empty the collection bag.
 - Always keep the tool clean. Do not use cleaning agents or solvents.
-

MAINTENANCE

STORAGE

- Disconnect the tool from the power supply.
- Store the tool in a clean, dry place out of the reach of children.
- Allow the motor to cool down before placing the tool in a closed room.
- Do not wrap plastic sacks around the tool as this could result in the formation of moisture.
- To store the tool, lower the handle before storing:
 - Remove and clean the collection bag.
 - Fully loosen the wing nuts on the sides of the upper handle and fold the upper handle down (Fig. 14).
 - To save the space, the collection bag can be put on the tool (Fig. 15).

NOTE: Ensure that the power cord is not squeezed.



TROUBLESHOOTING

Suspected malfunctions are often due to causes that the user can fix themselves.

Therefore, check the product using this section. In most cases the problem can be solved quickly.

WARNING

Only perform the steps described within these instructions!

If further assistance is required, please call Customer Service at 866-384-8432. All further inspection, maintenance and repair work must be performed by an authorized service center.

PROBLEM	POSSIBLE CAUSE	SOLUTION
Tool does not start.	No power.	Check power socket, cord, line; repair only by qualified electrician.
	Defective power cord.	Call Customer Service for assistance (Toll free number 866-384-8432).
	Safety switch button is not pressed.	Press and hold the safety switch button. Pull the start/stop bale switch toward the handle and release the safety switch button.
	Start/stop bale switch defective.	Call Customer Service for assistance (Toll free number 866-384-8432).
	Carbon brushes worn out.	
	Motor defective.	
Abnormal noises, clatter or vibrations.	Foreign object in the cylinder.	Remove the foreign object .
	Damaged spring tines or cylinder knives.	Exchange the cylinder.
	Cylinder incorrectly mounted.	Install the cylinder correctly. See Changing the Cylinder on page 18.
	Toothed-belt slip.	Call Customer Service for assistance (Toll free number 866-384-8432).

TROUBLESHOOTING

Motor fails.	Blocked by a foreign object.	Remove the foreign object.
	Grass is too long.	Mow beforehand. See Operation on page 19.
	Clogged by debris.	Clean debris.
Work result is not satisfactory.	Spring tines of dethatcher cylinder worn out.	Exchange the cylinder.
	Blades of scarifier cylinder blunt or damaged.	Exchange the cylinder.
	Toothed-belt defective.	Call Customer Service for assistance (Toll free number 866-384-8432).
	Transport position or incorrect working position selected.	Select working position 1 or readjust position 2-3. See Setting the Working Positions on page 16.
	Grass is too long.	Mow beforehand. See Operation on page 19.

LawnMaster® WARRANTY

We take pride in producing a high quality, durable product. This Lawnmaster® product carries a limited two (2) year warranty against defects in workmanship and materials from date of purchase under normal household use. If product is to be used for commercial, industrial or rental use, a 30 day limited warranty will apply. Warranty does not apply to defects due to direct or indirect abuse, negligence, misuse, accidents, repairs or alterations and lack of maintenance. Please keep your receipt/packing list as proof of purchase. This warranty gives you specific legal rights, and you may have other rights, which vary from state to state. For product service call Customer Service at (866)384-8432.

Items not covered by warranty:

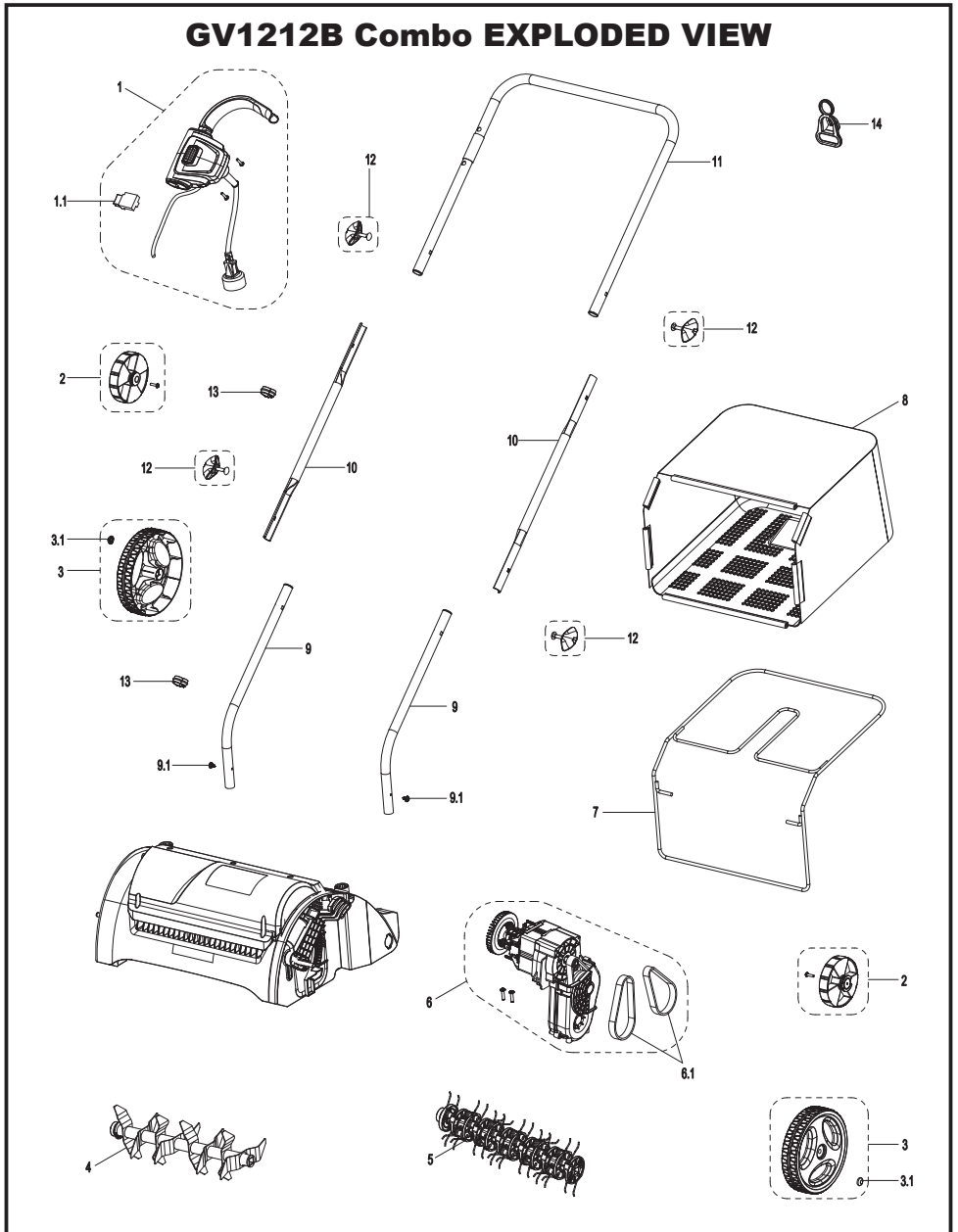
1. Any part that has become inoperative due to misuse, commercial use, abuse, neglect, accident, improper maintenance, or alteration;
2. The unit, if it has not been operated and/or maintained in accordance with the owner's manual;
3. Normal wear, except as noted below;
4. Routine maintenance items such as lubricants, blade sharpening;
5. Normal deterioration of the exterior finish due to use or exposure.

Transportation Charges: Transportation charges for the movement of any power equipment unit or attachment are the responsibility of the purchaser. It is the purchaser's responsibility to pay transportation charges for any part submitted for replacement under this warranty unless such return is requested in writing by LawnMaster.

SAVE YOUR RECEIPTS. THIS WARRANTY IS VOID WITHOUT THEM.

EXPLODED VIEW

GV1212B Combo EXPLODED VIEW



PARTS LIST

Key Number	Drawing Number	Description	Quantity
1		Switch Box Assembly	1
1.1		Switch	1
2	191007114	Rear Wheel Assembly	2
3	191007109	Front Wheel Assembly (170mm)	2
3.1	111009116	Cap	2
4	191015114	Scarifier Cylinder	1
5	191022106	Dethatcher Cylinder	1
6		Motor Assembly	1
6.1		Drive Belt	2
7	191015110	Metal Frame	1
8	191022103	Collection Bag	1
9		Lower Handle	2
9.1	111318104	Screw St4.8*12C	2
10		Middle Handle	2
11		Upper Handle	1
12	111291109	Wing Nut Assembly	4
13		Cable Clip	2
14		Cord Retainer	1

Replacement parts highlighted in grey are available for after sales purchase. Replacement of repair or internal parts should only be done by a qualified service professional. Please contact your authorized service dealer or Customer Service at 866-384-8432.

