

LawnMaster[®]

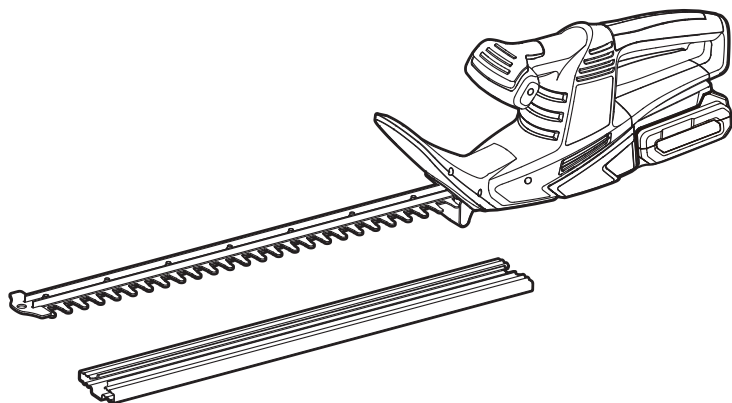
Operator's Manual

24V MAX* Lithium-ion Cordless Hedge Trimmer CLHT2422

Save this manual for future reference

* Maximum initial battery workload voltage (measured without a workload) is 24 volts.

Nominal voltage is 21.6 volts.



Battery Model Number is 24LB2004-CN

Charger Model Number is 24LFC14-ETL



Read all safety rules and instructions carefully before operating this tool.

Distributed By: Suzhou Cleva Electric Appliance Co., Ltd.

NO.8 Ting Rong Street 215122 Suzhou - China

TABLE OF CONTENTS

Section	Page
TABLE OF CONTENTS	2
SPECIFICATIONS	3
IMPORTANT SAFETY INSTRUCTIONS	4-8
SYMBOLS	9-11
KNOW YOUR HEDGE TRIMMER	12-13
ASSEMBLY	14-16
BATTERY PACK AND CHARGER	17-19
OPERATION	20-22
MAINTENANCE	23-25
ENVIRONMENTALLY SAFE BATTERY DISPOSAL	26
TROUBLESHOOTING	27-28
LAWNMASTER® WARRANTY	29
EXPLODED VIEW	30
PARTS LIST	31
NOTES	32

SPECIFICATIONS

24V MAX* CORDLESS HEDGE TRIMMER

Type	Cordless, Battery-powered
Cutting Device	Precision Laser Cut Blades
Cutting Capacity	9/16"
Blade Length	22"
Weight without Battery	5.5 lbs. (2.5 kg)

BATTERY PACK

Model Number	24LB2004-CN
Rated Voltage of Battery	24 V Max* D.C
Capacity of Battery	2.0 Ah
Battery Type	Lithium-ion

BATTERY CHARGER

Model Number	24LFC14-ETL
Charger Input	120 V ~ 60 Hz 70 W
Charger Output	24 V D.C. 2.5 A
Charging Time	60 minutes (For 24LB2004-CN)

* Maximum initial battery workload voltage (measured without a workload) is 24 volts.
Nominal voltage is 21.6 volts.

IMPORTANT SAFETY INSTRUCTIONS



WARNING!

Read all safety warnings and all instructions. Failure to follow the warnings and instructions may result in electric shock, fire and/or serious personal injury.

Save all warnings and instructions for future reference.

- Keep work area clean and well lit. Cluttered or dark areas invite accidents.
- Do not operate cordless power tools in explosive atmospheres, such as in the presence of flammable liquids, gases, or dust. Cordless power tools create sparks which may ignite the dust or fumes.
- Do not operate in poor lighting.
- Keep all bystanders, children, and pets at least 50 ft. away while operating the tool.
- Do not allow to be used as a toy. Close attention is necessary when near children.
- Keep children and bystanders away while operating a power tool. Distractions can cause you to lose control.
- Do not expose cordless power tools to rain or wet conditions. Do not handle the tool with wet hands. Water entering the tool will increase the risk of electric shock.
- Do not charge battery in rain, damp or wet location. Following this rule will reduce the risk of electric shock.
- Do not abuse the charger cord. Never use the cord for carrying, pulling or unplugging. Keep the cord away from heat, oil, sharp edges or moving parts. Damaged or entangled cords increase the risk of electric shock.
- Stay alert, watch what you are doing and use common sense when operating a cordless power tool. Do not use the tool while you are tired or under the influence of drugs, alcohol or medication. A moment of inattention while operating power tools may result in serious personal injury.
- Use personal protective equipment. Always wear eye protection. Protective equipment such as dusk mask, non-skid safety shoes, hard hat, or hearing protection used for appropriate conditions will reduce personal injuries. Secure long hair above shoulder level to prevent entanglement in moving parts.
- Prevent unintentional starting. Ensure switch is in the off-position before installing the battery pack, picking up or carrying the tool. Carrying cordless power tools with your finger on the switch or energising cordless power tools that have the switch on invites accidents.
- Remove any adjusting key or wrench before turning the power tool on. A wrench or a key left attached to a rotating part of the power tool may result in personal injury.
- Do not overreach. Keep proper footing and balance at all times. This enables better control of the tool in unexpected situations.
- Dress properly. Do not wear loose clothing or jewelry. Keep your hair, clothing, and gloves away from moving parts. Loose clothes, jewelry, or long hair can be caught in moving parts.
- Keep all parts of your body away from any moving parts and all hot surfaces of the unit.
- Do not use on a ladder, rooftop, tree, or other unstable support. Stable footing on a solid surface enables better control of the tool in unexpected situations.
- Wear heavy, long pants, long sleeves, boots, and gloves. Do not wear loose fitting clothing, shorts pants, sandals or similar lightweight footwear or go barefoot.
- For private domestic use only.
- If devices are provided for the connection of dust extraction and collection facilities, ensure these are connected and properly used. Use of dust collection can reduce dust-related hazards.

IMPORTANT SAFETY INSTRUCTIONS

- Do not force the tool. Use the correct power tool for your application. The correct power tool will do the job better and safer at the rate for which it was designed.
- Do not use the tool if the switch does not turn it on and off. Any cordless power tools that cannot be controlled with the switch are dangerous and must be repaired.
- Disconnect the battery pack from the power tool before making any adjustments, changing accessories, or storing. Such preventive safety measures reduce the risk of starting the power tool accidentally.
- To reduce the risk of serious personal injury, do not store outside or in vehicles. Store idle cordless power tools out of the reach of children.
- Do not allow persons unfamiliar with the cordless power tool or these instructions to operate the tool. Cordless power tools are dangerous in the hands of untrained users.
- Maintain tools. Check for misalignment or binding of moving parts, breakage of parts and any other condition that may affect the tool's operation. If damaged, have the tool repaired before use. Many accidents are caused by poorly maintained power tools.
- Keep cutting tools sharp and clean. Properly maintained cutting tools with sharp cutting edges are less likely to bind and are easier to control.
- Use the cordless power tool, accessories and tool bits etc., in accordance with these instructions, taking into account the working conditions and the work to be performed. Use of the tool for operations different from those intended could result in a hazardous situation.
- Have your power tool serviced by a qualified repair person using only identical replacement parts. This will ensure that the safety of the power tool is maintained.
- Do not use the hedge trimmer in bad weather conditions, especially when there is a risk of lightning. This decreases the risk of being struck by lightning.
- Keep all parts of the body away from the cutter blade. Do not remove cut material or hold material to be cut when blades are moving. Make sure the switch is off when clearing jammed material. Blades coast after turn off. A moment of inattention while operating the hedge trimmer may result in serious personal injury.
- Carry the hedge trimmer by the handle with the cutter blade stopped. Proper handling of the hedge trimmer will reduce possible personal injury from the cutter blades.
- Hold the power tool by insulated gripping surfaces only, because the cutter blade may contact hidden wiring or its own cord. Cutter blades contacting a "live" wire may make exposed metal parts of the power tool "live" and could give the operator an electric shock.
- Keep cable away from cutting area. During operation the cable may be hidden in shrubs and can be accidentally cut by the blade.
- **DANGER** - Keep hands away from the blade. Contact with blade will result in serious personal injury.
- **WARNING** - Only use with handle and guard properly assembled to hedge trimmer. The use of the hedge trimmer without the proper guard or handle provided may result in serious personal injury.
- Use both hands when operating the hedge trimmer. Using one hand could cause loss of control and result in serious personal injury.
- Before starting the hedge trimmer, make sure the blade is not in contact with any object.
- Stop the unit, remove the battery pack. Make sure the blade has stopped before setting the unit down.
- Never cut any material with a diameter larger than 9/16 in.
- Always stop the motor when cutting is delayed or when walking from one cutting location to another.
- Keep unit clean of grass clippings and other materials. They may become lodged in the cutting blades.
- If the hedge trimmer is equipped with a debris remover, do not use the debris remover as a gripping surface.

IMPORTANT SAFETY INSTRUCTIONS

- Store the unit inside in a dry place, either locked up or up high to prevent unqualified use or damage. Keep out of the reach of children or untrained individuals.
- Replace blade cover when unit is not in use.
- Never douse or squirt the unit with water or any other liquid. Keep handles dry, clean, and free from debris. Clean after each use; see storage instructions.
- Secure the unit while transporting.
- Battery powered tools do not have to be plugged into an electrical outlet; therefore, they are always in operating condition. Beware of possible hazards even when unit is not operating.
- Remove the battery pack before making any adjustments, cleaning, storing or removing material from the unit, or when not in use.
- When transporting or storing the hedge trimmer, always fit the cutting device cover.
- Use only with charger listed.



WARNING (PROPOSITION 65)

Some dust created by power sanding, sawing, grinding, drilling, and other construction activities contains chemicals known to cause cancer, birth defects or other reproductive harm. Some examples of these chemicals are:

- Lead from lead-based paints
- Crystalline silica from bricks and cement and other masonry products.
- Arsenic and chromium from chemically treated lumber.

Your risk of exposure to these chemicals varies depending on how often you do this type of work. To reduce your exposure to these chemicals, work in a well-ventilated area, and work with approved safety equipment, such as dust masks that are specially designed to filter out microscopic particles.

BATTERY PACK

- The battery pack is only compatible with LawnMaster® 24LFC14-ETL, 24LFC15-ETL, 24LFC02-ETL or 24LSC01-ETL chargers.
- Recharge only with the charger specified by the manufacturer and listed in this manual. A charger that is suitable for one type of battery pack may create a risk of fire when used with another battery pack.
- Do not charge battery in a damp or wet location. Following this rule will reduce the risk of electric shock.
- Do not place battery powered tools or their batteries near fire or heat. This will reduce the risk of explosion and possibly injury.
- Do not open or mutilate the battery. Released electrolyte is corrosive and may cause damage to the eyes or skin. It may be toxic if swallowed.
- Do not dispose of battery packs in fire. They will explode or leak and cause injury. Liquid ejected from the battery may cause irritation or burns.
- Do not crush, drop or damage the battery pack. Do not use a battery pack or charger that has been dropped or received a sharp blow. A damaged battery is subject to explosion. Properly dispose of a dropped or damaged battery immediately.
- Batteries can explode in the presence of a source of ignition, such as a pilot light. To reduce the risk of serious personal injury, never use any cordless product in the presence of open flame. An exploded battery can propel debris and chemicals. If exposed, flush with water immediately.

IMPORTANT SAFETY INSTRUCTIONS

- Under extreme usage or temperature conditions, battery leakage may occur. If liquid comes in contact with your skin, wash immediately with soap and water. If liquid gets into your eyes, flush them with clean water for at least 10 minutes, then seek immediate medical attention. Following this rule will reduce the risk of serious personal injury.
- When the battery pack is not in use, keep it away from other metal objects, like paper clips, coins, keys, nails, screws, or other small metal objects, that can make a connection from one terminal to another. Shorting the battery terminals together may cause burns or a fire.
- Do not expose a battery pack or the tool to fire or excessive temperature. Exposure to fire or temperature above 265°F (130°C) may cause an explosion.
- Do not modify or attempt to repair the tool or the battery pack (as applicable) except as indicated in the instructions for use and care.
- Follow all charging instructions and do not charge the battery pack or the tool outside of the temperature range specified in the instructions. Charging improperly or at temperatures outside of the specified range may damage the battery and increase the risk of fire.
- All tool services should be performed by a qualified repair person using only identical replacement parts. This will ensure that the safety of the product is maintained.

BATTERY CHARGER

- This charger is only compatible with LawnMaster® 24LB4005-CN, 24LB4005-C, 24LB1304, 24LB2004, 24LB2004-CN, 24LB2605, or 24LB4005 lithium-ion batteries.
- To reduce the risk of injury, charge only the specified lithium-ion rechargeable batteries. Other types of batteries may burst, causing personal injury or damage.
- Keep cord and charger away from heat to prevent damage to housing or internal parts.
- Do not operate charger with a damaged cord or plug, which could cause shorting and electric shock. If damaged, immediately discontinue use. Replace the charger with the identical unit as listed in the Parts List of this manual.
- Do not use a charger that has been dropped or received a sharp blow.
- Do not disassemble charger. Take it to a qualified service center for check or replacement. Incorrect reassembly may result in a risk of electric shock or fire.
- Do not abuse the charger cord. Never use the cord for carrying, pulling or unplugging.
- Keep cord away from heat, oil, sharp edges or moving parts. Damaged or entangled cords increase the risk of electric shock. If the charger cord is damaged, replace the charger with an identical model as listed in this manual.
- A charger that is suitable for one type of battery pack may create a risk of fire when used with another battery pack.
- Charge the battery at the normal charging temperature between 40°F (4°C) and 100°F (38°C).

FCC COMPLIANCE

- This device complies with Part 15 of the FCC Rules. Operation is subject to the following two conditions:
 - This device may not cause harmful interference, and
 - This device must accept any interference received, including interference that may cause undesired operation.
- **NOTE:** This equipment has been tested and found to comply with the limits for a Class B digital device, pursuant to Part 15 of the FCC Rules. These limits are designed to provide reasonable protection against harmful interference in a residential installation.

IMPORTANT SAFETY INSTRUCTIONS













- This equipment generates, uses, and can radiate radio frequency energy and, if not installed and used in accordance with the instructions, may cause harmful interference to radio communications. However, there is no guarantee that interference will not occur in a particular installation. If this equipment does cause harmful interference to radio or television reception, which can be determined by turning the equipment off and on, the user is encouraged to try to correct the interference by one or more of the following measures:
 - Reorient or relocate the receiving antenna.
 - Increase the separation between the equipment and receiver.
 - Connect the equipment into an outlet on a circuit different from that of the receiver.
 - Consult the dealer or an experienced radio/ TV technician for help.

SAVE THESE INSTRUCTIONS







Refer to them frequently and use them to instruct others who may use this appliance. If you loan someone this appliance, loan them these instructions also.

SYMBOLS




Some of the following symbols may be used on this product. Please study them and learn their meaning. Proper interpretation of these symbols will allow you to operate the product better and safer.

SYMBOL	NAME	DESIGNATION/EXPLANATION
V	Volts	Voltage
A	Amperes	Current
Hz	Hertz	Frequency (cycles per second)
W	Watt	Power
hrs	Hours	Time
/min	Per Minute	Revolution, strokes, surface speed, orbits etc, per minute
n_0	No Load Speed	Rotational speed, at no load.
	Alternating Current	Type of current
	Direct Current	Type or a characteristic of current
	Lithium-ion Battery Recycling	Designates that this tool is in compliance with Lithium-ion battery recycling program requirements.
	Safety Alert	Indicates a potential personal injury hazard.
	Read the Operator's Manual	To reduce the risk of injury, user must read and understand operator's manual before using this product.
	Eye and Hearing Protection	Always wear eye protection with side shields marked to comply with ANSI Z87.1, along with hearing protection.
	Wet Conditions Alert	Do not expose to rain or use in damp locations.
	Gloves	Wear non-slip, heavy-duty protective gloves when handling this product.
	Safety Footwear	Wear non-slip safety footwear when using this product.
	Kickback	DANGER! Beware of kickback.
	Risk of Electrocution	DANGER! Risk of electrocution!
	Electric Shock	Failure to use in dry conditions and to observe safe practices can result in electric shock.

SYMBOLS

SYMBOL	NAME	DESIGNATION/EXPLANATION
	No Hands Symbol	Failure to keep your hands away from the blade will result in serious personal injury.
	Keep Bystanders Away	Keep all bystanders at least 50' (15 m) away.
	Keep Away From Water	Do not dispose of battery packs in rivers or immerse in water.
	Keep Away From Fire	Do not dispose of battery packs in fire. They will explode or leak and cause injury.
	Heat Alert	Do not expose battery packs to heat in excess of 60°C (140°F).
	Recycle Symbol	This product uses lithium-ion batteries. Local, state, or federal laws may prohibit disposal of batteries in ordinary trash. Consult your local waste authority for information regarding available recycling and/or disposal options.

The following signal words and meanings are intended to explain the levels of risk associated with this product.

SYMBOL	SIGNAL	MEANING
	DANGER	Indicates an imminently hazardous situation, which, if not avoided, will result in death or serious injury.
	WARNING	Indicates a potentially hazardous situation, which, if not avoided, could result in death or serious injury.
	CAUTION	Indicates a potentially hazardous situation, which, if not avoided, may result in minor or moderate injury.
	NOTICE	(Without Safety Alert Symbol) Indicates a situation that may result in property damage.

SYMBOLS

SERVICE

Service requires extreme care and knowledge and should be performed only by a qualified service technician. When servicing, use only identical replacement parts.

For troubleshooting or replacement, please call Customer Service for assistance (Toll free number 866-384-8432).

WARNING

To avoid serious personal injury, do not attempt to use this product until you have read thoroughly and understand the Operator's Manual completely.

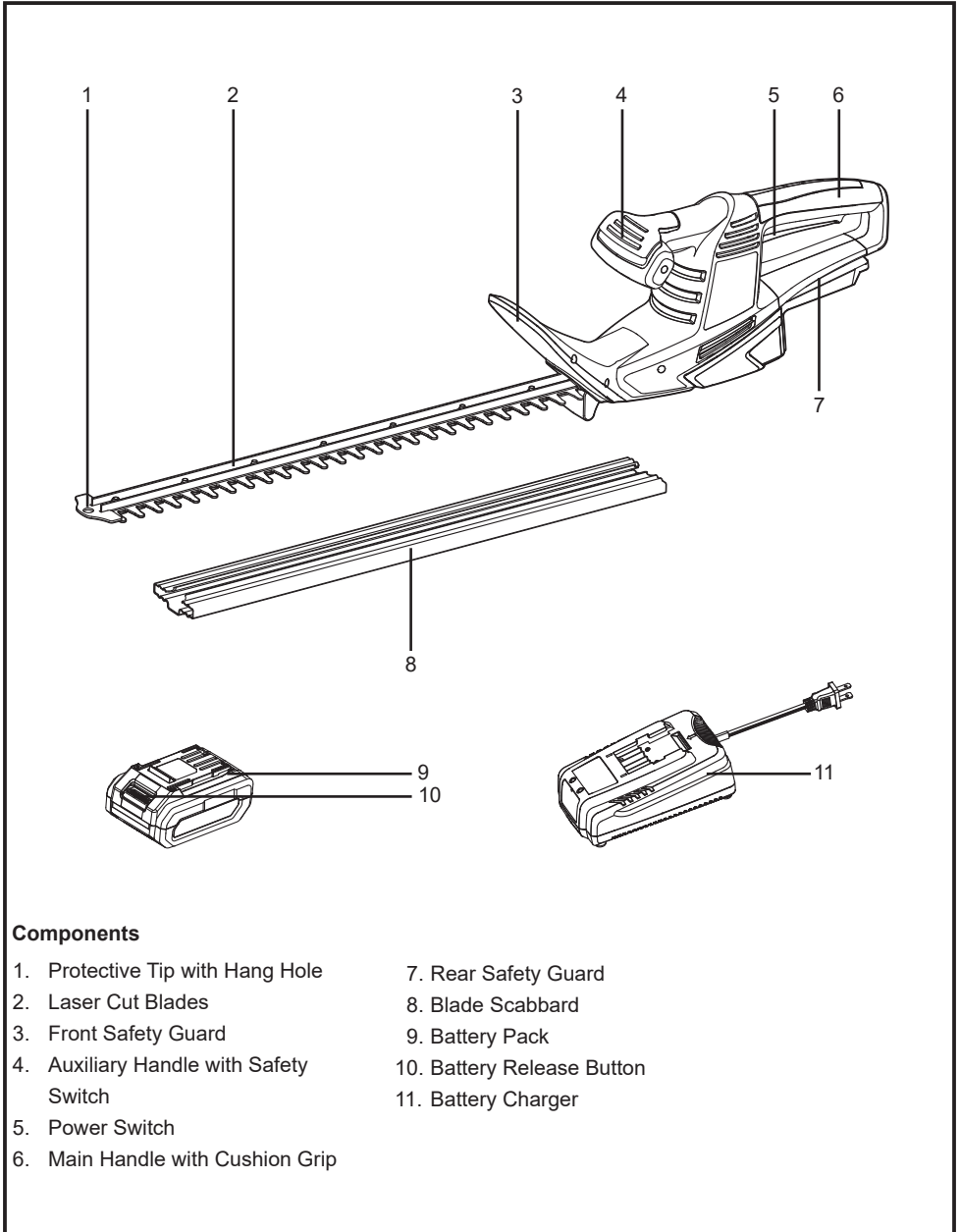
If you do not understand the warnings and instructions in the Operator's Manual, do not use this product. Call Customer Service for assistance (Toll free number 866-384-8432).

WARNING



The operation of any power tool can result in foreign objects being thrown into your eyes, which can result in severe eye damage. Before beginning power tool operation, always wear safety goggles or safety glasses with side shields and, when needed, a full-face shield. We recommend Wide Vision Safety Mask for use over eyeglasses or standard safety glasses with side shields. Always use eye protection which is marked to comply with ANSI Z87.1.

KNOW YOUR HEDGE TRIMMER



Components

- | | |
|--|----------------------------|
| 1. Protective Tip with Hang Hole | 7. Rear Safety Guard |
| 2. Laser Cut Blades | 8. Blade Scabbard |
| 3. Front Safety Guard | 9. Battery Pack |
| 4. Auxiliary Handle with Safety Switch | 10. Battery Release Button |
| 5. Power Switch | 11. Battery Charger |
| 6. Main Handle with Cushion Grip | |

KNOW YOUR HEDGE TRIMMER

KNOW YOUR PRODUCT

The safe use of this product requires an understanding of the information on the product and in this Operator's Manual as well as a knowledge of the project you are attempting. Before use of this product, familiarize yourself with all operating features and safety rules.

CORDLESS HEDGE TRIMMER

This cordless hedge trimmer features laser cut blades made of special-grade steel. When trimming, slowly cut in a back and forth linear shearing motion. NEVER force the tool; let the tool do the work. The protective tip at the top of the blade prevents unpleasant kickback reactions when hitting walls, fences, etc. Operators are protected by the hedge trimmer two-hand safety switch and quick-stop brake function.

The hand protection guards your hands against twigs and branches. Read the sections below to learn more about each operating function.

BLADE SCABBARD

The scabbard keeps the operator from coming in contact with the sharp blades when the tool is not in use. It also helps keep the blades from being nicked or damaged when the tool is in storage.

ASSEMBLY

UNPACKING

This product requires assembly.

- Carefully remove the product and any accessories from the box. Make sure that all items listed in the packing list are included.
- Inspect the product carefully to make sure no breakage or damage occurred during shipping.
- Do not discard the packing material until you have carefully inspected and satisfactorily operated the product.
- If any parts are damaged or missing, please call Customer Service (Toll free number 866-384-8432).

YOU WILL NEED (ITEMS NOT SUPPLIED)

- Suitable Personal Protective Equipment

PACKING LIST

- (1) 24V Cordless Hedge Trimmer with Blade Scabbard
- (1) 24V 2.0Ah Lithium-ion Battery Pack
- (1) 24V 2.5A Battery Charger
- (1) Operator's Manual



WARNING

If any parts are damaged or missing do not operate this product until the parts are replaced. Use of this product with damaged or missing parts could result in serious personal injury.



WARNING

Do not attempt to modify this product or create accessories not recommended for use with this product. Any such alteration or modification is misuse and could result in a hazardous condition leading to possible serious personal injury.



WARNING

To prevent accidental starting that could cause serious personal injury, always remove the battery pack from the product when assembling parts.

ASSEMBLY

DANGER

If the hedge trimmer blade jams or gets caught on an electrical cord or wires, **DO NOT TOUCH THE BLADE FOR ANY REASON! IT CAN BE ELECTRICALLY LIVE AND CAUSE SERIOUS OR FATAL INJURY!** Release or drop the trimmer in the quickest, safest way. If possible, disconnect the battery from the tool. If that is not possible, call an electrician, electrical contractor, or the power company for assistance. Failure to heed this danger warning will cause serious personal injury and possible death.

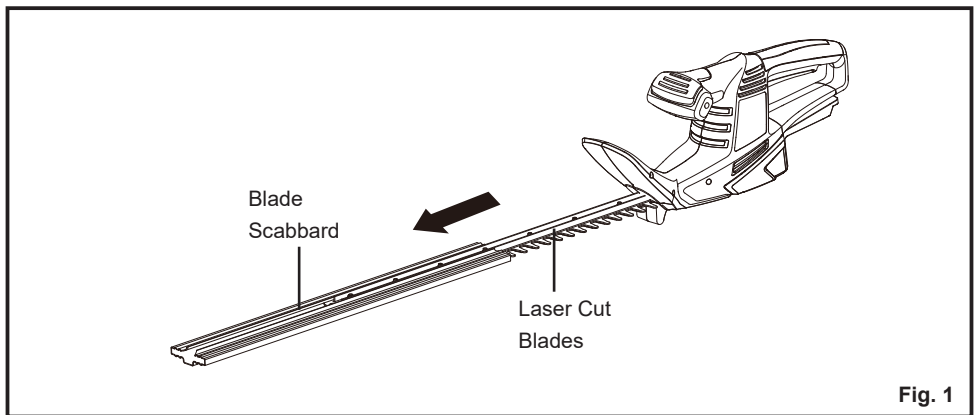
WARNING

Avoid serious injury: The blades coast after turning off. **ALWAYS** keep both hands on the hedge trimmer handles until the blades have completely stopped to prevent your hands from touching the moving blades.

- Make sure the hedge trimmer switch is off when clearing jammed material from blades. To avoid possible accidental start-ups, remove or disconnect the battery before servicing, cleaning, or removing material from the hedge trimmer.
 - **DO NOT** operate the hedge trimmer when you are tired or your visibility is limited. Do not use the trimmer at night or in reduced light.
 - Keep the handles dry, clean, and free from oil and grease.
 - **DO NOT** use the hedge trimmer if the handle guard is damaged.
-

SET UP

Carefully remove the blade scabbard from the cutting blades (Fig. 1).



ASSEMBLY

INSTALLING / REMOVING THE BATTERY PACK

To install the battery pack:

1. Make sure the battery is fully charged.
2. Align the battery pack to the slots at the bottom side of the rear safety guard and slide it in until it locks in place (Fig. 2).

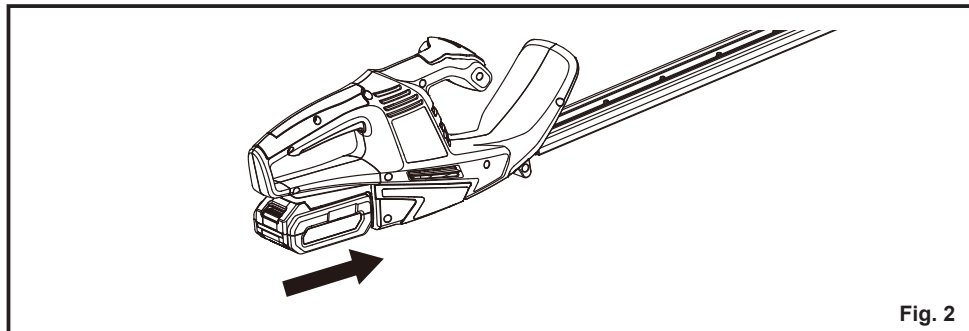


Fig. 2

To remove the battery pack:

Grasp the hedge trimmer firmly. Press the release button on the battery pack and remove it from the tool (Fig. 3).

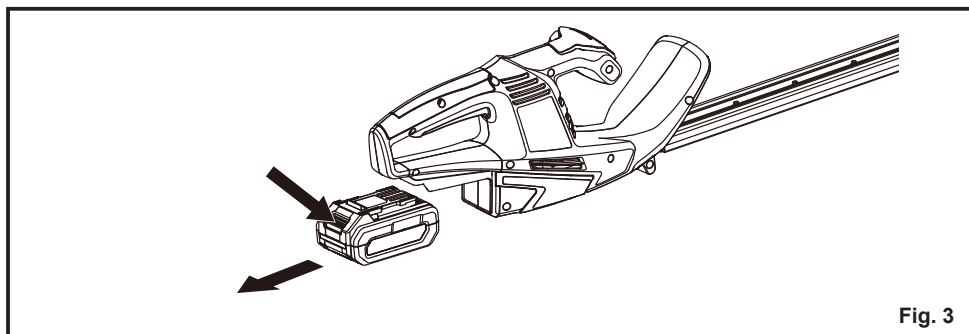


Fig. 3

NOTE: Always place the blade scabbard over the blade when the hedge trimmer is not in use or the user is performing any cleaning of the trimmer handles or motor housing.

BATTERY PACK AND CHARGER




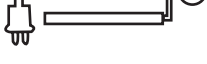



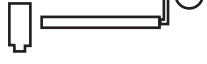
BATTERY CHARGING

1. Use only with 24V LawnMaster® battery chargers. The battery charger supplied is specifically designed for the lithium-ion battery used in this tool.
2. Check the power voltage! Battery chargers operate on 120V.
3. The battery is charged between 40°F (4°C) and 100°F (38°C). This ensures an optimum battery service life.
4. Protect the battery from heat, from continuous exposure to sun, and keep away from radiation or other heat sources. Do not leave the battery in the tool in direct sunlight over long periods.
5. The battery is supplied partially charged. To ensure full capacity of the battery, charge the battery before using the tool for the first time. The lithium-ion battery can be charged at any time without reducing its service life. Interrupting the charging procedure does not affect the battery.

LED CHARGER STATUS

1. If the battery is not inserted into the charger, **a continuous red LED light** indicates that the charger is plugged into a power supply socket and is now ready to begin charging.
2. Charging: **A flashing green LED** on the charger indicates that the battery is charging normally.
3. Charged: **Continuous green LED** on the charger indicates that the battery is ready for use.

The indicator lights on the charger show the charger status:

SYMBOL	INDICATOR LIGHTS	STATUS
		Red, flashing Charging paused. See Technical Issue.
		Red, continuous Connected to power supply (Standby)
		Green, flashing Charging
		Green, continuous Fully charged





4. The intelligent charger ensures maximum battery life, because it measures the existing charge level of the battery and then charges with the required current and voltage. Charge battery fully before storage.
5. **Technical Issue: A flashing red LED** light on the charger indicates that battery pack has a charging problem or might be defective.
 - a) One possible condition is the battery temperature is not within the charging temperature range of 40°F (4°C) and 100°F (38°C). As soon as the permitted temperature is reached, the battery charger will automatically switch to charging.

BATTERY PACK AND CHARGER

- b) If the temperature range is correct and flashing red LED light continues, then remove and reinstall the battery pack. If the LED status repeats a second time, try to charge another identical battery. If the battery charges normally, dispose of the defective battery pack (see Environmental Safe Battery Disposal section).
 - c) If the flashing red light continues after installing the second battery (ensure the battery temperature is normal), the charger may be defective. Replace with a new one.
6. After continuous or repeated charging cycles without interruption, the charger may warm up. This is normal and does not indicate a technical defect of the battery charger.

BATTERY LED PANEL

1. Check the battery pack capacity by pressing the LED button.
2. When the LED button is pressed, the number of illuminated lights indicates the state of battery pack capacity. See Table below.

NUMBER of LIGHTED LEDs	CAPACITY
	0%-25%
	25%-50%
	50%-75%
	75%-100%

LED Button green yellow red

CHARGING THE BATTERY PACK

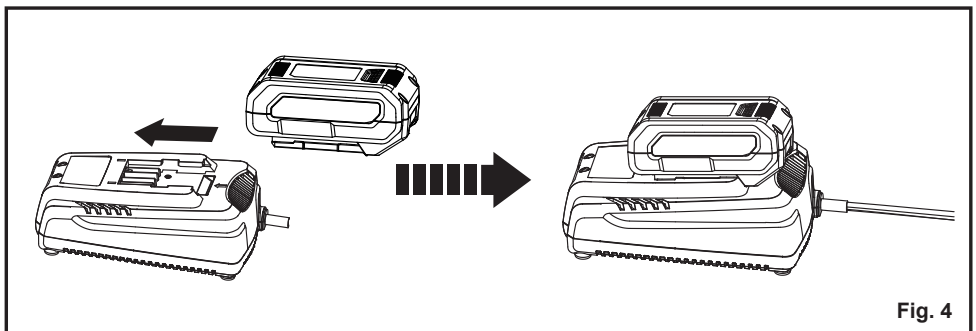


Fig. 4

BATTERY PACK AND CHARGER



WARNING

If any part of the charger is missing or damaged, do not operate it! Replace the charger with a new one. Failure to heed this warning could result in possible serious injury.

Check the voltage! The voltage must comply with the information on the rating label.

1. Align the slot of the battery pack with the rail on the charger. Slide the battery onto the rail until the battery pack secures into place (Fig. 4).
2. Connect the charger to the power supply.
3. Allow sufficient charging time (see Specifications), and then disconnect the charger from the power supply.
4. Press the release button on the battery pack and remove it from the charger.

NOTE: It is normal for the battery pack and the charger to become warm (but not hot) during charging process. If the battery does not charge properly, check to make sure the electrical outlet is operational. Always charge the battery before storage!

OPERATION

INTENDED USE

The product is intended for trimming hedges, bushes and shrubs. Observe the Specifications for the maximum cutting capacity.

Do not cut branches exceeding the maximum cutting width of 9/16 inch.

This product is intended for private domestic use only, not for any commercial trade use. It must not be used for any purposes other than those described.

WARNING

Do not allow familiarity with products to make you careless. Remember that a careless fraction of a second is sufficient to inflict serious injury.

WARNING

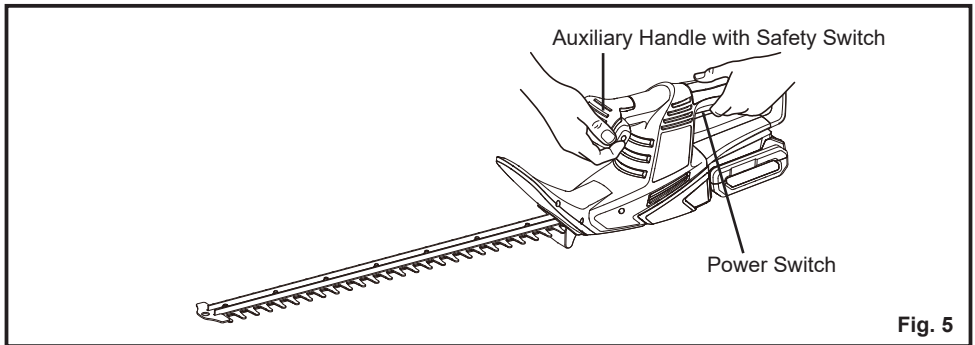
Always wear eye protection with side shields marked to comply with ANSI Z87.1. Failure to do so could result in objects being thrown into your eyes and other possible serious injuries.

WARNING

Do not use any attachments or accessories not recommended by the manufacturer of this product. The use of attachments or accessories not recommended can result in serious personal injury. Before each use, inspect the entire product for damaged, missing, or loose parts such as screws, nuts, bolts, caps, etc. Tighten securely all fasteners and caps and do not operate this product until all missing or damaged parts are replaced.

STARTING / STOPPING THE HEDGE TRIMMER

This hedge trimmer features a two-hand power switch to ensure safe starting (Fig. 5).



OPERATION

1. Make sure the power switch is in the off position. Attach the fully-charged battery pack to the product. Ensure it snaps in place.
2. Hold the hedge trimmer at the main handle, and squeeze the safety switch on the auxiliary handle.
3. Slowly squeeze the power switch to start the trimmer operation.
4. To turn the hedge trimmer off, simply release either of the safety switch and the power switch. The hedge trimmer will stop.

GENERAL OPERATION

1. Check the product, its battery pack and charger as well as accessories for damage before each use. Do not use the product if it is damaged or shows wear.
2. Always hold the product by its handles. Keep the handles dry to ensure safe support.
3. Ensure that the air vents are always unobstructed and clear. Clean them if necessary with a soft brush. Blocked air vents may lead to overheating and damage the product.
4. Switch the product off immediately if you are disturbed while working by other people entering the working area. Always let the product come to complete stop before putting it down.
5. Do not overwork yourself. Take regular breaks to ensure you can concentrate on the work and have full control over the product.



WARNING

To avoid injury and to reduce the risk of electrical shock or fire:

- Replace the battery pack or charger immediately if the battery case or charger cord is damaged.
- Always make sure the hedge trimmer switch is OFF before inserting or removing the battery pack.
- Always make sure the switch turned OFF and the battery pack is removed, before inspecting, adjusting, or maintaining any other part of the hedge trimmer.
- Read, understand, and follow the Battery Pack and Charger operation instructions.



WARNING

To avoid personal injury:

- Handle the blade with care.
 - Do not place your fingers or hand between the notches in the blade or in any position where they could get pinched or cut.
 - Never service the blade or hedge trimmer unless the battery pack is removed.
 - Do not use if the blade assembly is damaged or bent. Contact the Customer Service for assistance (Toll free number 866-384-8432).
 - Always keep both hands on the hedge trimmer handles to prevent your hand from touching the blade.
-

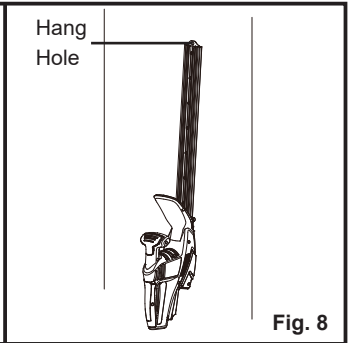
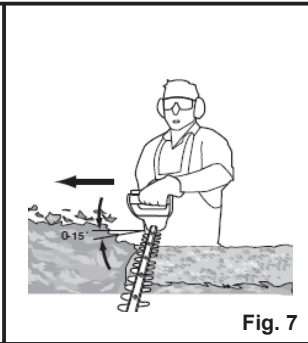
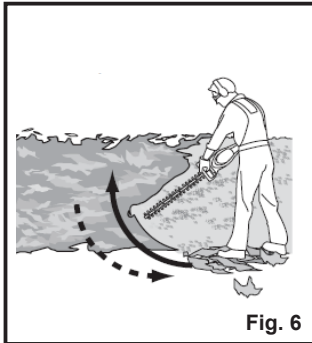
OPERATION

IMPORTANT!

Lubricate the blade before and after each use. Ignoring this step will decrease blade life and hamper operation. See the Maintenance Section.

TRIMMING

1. Using a pruning tool to cut and remove branches exceeding the cutting width capacity of this product of 9/16 inch before operation.
2. Move the hedge trimmer lightly through the cutting surface in a sweeping motion following the shape of the hedge or shrub.
3. A slight tilt downwards of the hedge trimmer in the direction of motion is recommended for optimum cutting performance.
4. Do not rush and do not attempt to cut too much with one stroke of the hedge trimmer.
5. First cut both sides of the hedge from the bottom cutting upwards to the top. This will prevent any of the trimmings falling into the path of the area still to be cut (Fig. 6).
6. After cutting the hedge sides proceed to the top (Fig. 7).
7. To store the hedge trimmer, remove the battery pack from the unit. Use the convenient protective tip to hang your hedge trimmer out of the way until next use (Fig. 8).



MAINTENANCE



WARNING

When servicing, use only identical replacement parts. Use of any other parts may create a hazard or cause product damage.



WARNING

To avoid serious personal injury, always remove the battery pack from the tool when cleaning or performing any maintenance.



WARNING

Wear safety gloves when working on the cutting device and close to it! Use appropriate tools to remove debris e.g. a brush or wooden stick! Never use your bare hands!



WARNING

Always wear eye protection with side shields marked to comply with ANSI Z87.1, along with hearing protection. Failure to do so could result in objects being thrown into your eyes resulting in possible serious injuries.

GENERAL MAINTENANCE

1. Remove the battery pack from the hedge trimmer.
2. Before each use, inspect the entire product for damaged, missing, or loose parts such as screws, nuts, bolts, caps, etc. Tighten securely all fasteners and caps and do not operate this product until all missing or damaged parts are replaced.
3. Clean the product with a dry clean cloth. Use a brush for hard-to-reach areas. In particular clean the air vents after every use with a cloth and brush.
4. Remove stubborn dust with high pressure air (max. 3 bar).
5. Avoid using solvents when cleaning plastic parts. Most plastics are susceptible to damage from various types of commercial solvents and may be damaged by their use.

MAINTENANCE



WARNING

Do not at any time let brake fluids, gasoline, petroleum-based products, penetrating oils, etc., come in contact with plastic parts. Chemicals can damage, weaken or destroy plastic which may result in serious personal injury.

CLEANING THE BLADE

1. Keep the cutting blades clean and free of debris.

NOTE: Remove the battery before performing any maintenance.

2. Use a brush or high pressure air (max. 3 bar) to remove debris from the blades.

3. With gloves on, clean the blades with a dry cloth to remove loose material.

4. Apply a small amount of light machine oil to the edge of the top blade to retain good cutting performance. See LUBRICATING THE BLADE.

5. Keep the cutting blades sharp. Have heavily worn or damaged blades replaced with identical parts by a qualified service dealer.

6. Adjustment of the distance between blades is not necessary, as this is predetermined by the manufacturer.

LUBRICATING THE BLADE



WARNING

Always allow the blades of the hedge trimmer to come to a stop and remove the battery pack before lubricating. Failure to do so could result in accidental starting causing possible serious personal injury.

For easier operation and longer blade life, lubricate the hedge trimmer blade before and after each use.

1. Remove the battery pack from the hedge trimmer.

2. Lay the hedge trimmer on a flat surface. Apply light weight machine oil along the edge of the top blade.

NOTE: If you will be using the hedge trimmer for an extended time, it is advisable to oil the blade periodically.

1. Stop the hedge trimmer.

2. Remove the battery pack.

3. Lubricate the hedge trimmer as described above.

4. Reinstall the battery pack and resume use.

MAINTENANCE

BATTERY MAINTENANCE

1. Fully charge the battery before placing in storage.
2. Recharge the battery pack whenever there is a noticeable reduction in the performance. Do not allow the battery pack to become completely discharged.
3. Do not recharge a battery pack that is already fully charged. Overcharging shortens battery life.
4. Once the battery pack is fully charged, remove the battery from the charger and disconnect the charger from the outlet.
5. Do not store the battery pack on the tool or on the charger.
6. If the battery pack is hot, allow it to cool down before recharging.

CHARGER MAINTENANCE

1. Keep the charger clean and clear of debris. Do not allow foreign material into the recessed cavity or on the contacts. Wipe with a dry cloth. Do not use solvents, water, or place in wet conditions.
2. Always unplug the charger when the battery pack is not installed on the charger.
3. Do not store the charger in excessive heat. Do not use in direct sunlight.
4. Disconnect the charger from the AC power outlet when not in use and once battery has reached a full charge.

CLEANING THE HEDGE TRIMMER

1. Remove the battery pack.
 2. Slide the scabbard over the blade.
 3. Clean dirt and debris from the body of the hedge trimmer, using a clean cloth with a mild detergent.
- NOTE:** Do not use any strong detergents on the plastic housing or the handles. They can be damaged by certain aromatic oils such as pine and lemon, and by solvents such as kerosene.
4. Moisture can cause a shock hazard. Wipe off any moisture with a soft dry cloth.
 5. Use a small brush or the air discharge of a small vacuum cleaner brush to clear dust or debris from the air vents on the motor housing.

TRANSPORTING AND STORING

1. Always place the scabbard on the blades before storing or transporting the hedge trimmer. Use caution to avoid the sharp teeth of the blades.
2. Clean the hedge trimmer thoroughly before storing. Store the hedge trimmer indoors, in a dry, well-ventilated place that is inaccessible to children. Keep away from corrosive agents such as garden chemicals and de-icing salts.

ENVIRONMENTAL SAFE BATTERY DISPOSAL



The following toxic and corrosive materials are in the batteries used in this battery pack:
lithium-ion, a toxic material.



WARNING

All toxic materials must be disposed of in a specific manner to prevent contamination of the environment. Before disposing of damaged or worn-out lithium-ion battery packs, contact your local waste disposal agency, or the local Environment Protection Agency for information and specific instructions.



WARNING

If the battery pack cracks or breaks, with or without leaks, do not recharge it and do not use it. Dispose of it and replace with a new battery pack.

DO NOT ATTEMPT TO REPAIR IT!

To avoid injury and risk of fire, explosion, or electric shock, and to avoid damage to the environment:

- Cover the battery terminals with heavy-duty adhesive tape.
- **DO NOT** attempt to remove or destroy any of the battery pack components.
- **DO NOT** attempt to open the battery pack.
- If a leak develops, the released electrolytes are corrosive and toxic. **DO NOT** get the solution in eyes or on skin, and do not swallow it.
- **DO NOT** place damaged or defective batteries in your regular household trash.
- **DO NOT** incinerate.
- **DO NOT** place batteries where they will become part of any waste landfill or municipal solid waste stream.
- Take batteries to a certified recycling or disposal center.

TROUBLESHOOTING

Suspected malfunctions are often due to causes that the user can fix themselves.

Therefore, check the product using this section. In most cases the problem can be solved quickly.

WARNING

Only perform the steps described within these instructions!

All further inspection, maintenance and repair work must be performed by an authorized service center or a similarly qualified specialist if you cannot solve the problem yourself!

PROBLEM	POSSIBLE CAUSE	SOLUTION
Motor fails to start when the power switch is depressed.	The battery is not secure.	To secure the battery pack, make sure the latches on the top of the battery pack snap into place.
	The battery is not charged.	Charge the battery pack according to the instructions included in this manual.
	Defective switch.	Call Customer Service for assistance (Toll free number 866-384-8432).
Motor runs, but cutting blades do not move.	Hedge trimmer is damaged.	Call Customer Service for assistance (Toll free number 866-384-8432).
Hedge trimmer smokes during operation.	Hedge trimmer is damaged.	Call Customer Service for assistance (Toll free number 866-384-8432).
No charging procedure possible.	The battery contacts are contaminated.	Clean the battery contacts (e.g. by inserting and removing the battery several times) or replace the battery.
	Mains plug of battery charger is not plugged in properly.	Insert mains plug fully into the socket outlet.
	Socket outlet, mains cable or battery charger are defective.	Check the mains voltage and if necessary, contact the Customer Service for assistance (Toll free number 866-384-8432).
	The battery has a fault.	Contact the Customer Service for assistance (Toll free number 866-384-8432).

TROUBLESHOOTING

PROBLEM	POSSIBLE CAUSE	SOLUTION
Charger 2Hz red LED light flashing.	Battery pack is too hot.	Allow the battery pack to reach normal temperature. Charging will begin when battery pack returns to normal temperature.

For more status of the indicator lights on battery & charger, refer to page 17 & 18.

LAWNMASTER® WARRANTY

We take pride in producing a high quality, durable product. This Lawnmaster® product carries a limited two (2) year warranty against defects in workmanship and materials from date of purchase under normal household use. If the product is to be used for commercial, industrial or rental use, a 30-day limited warranty will apply. **Batteries carry a one-year warranty against defects in workmanship and materials.** Batteries must be charged in accordance with the operator's manual directions and regulations in order to be valid. Warranty does not apply to defects due to direct or indirect abuse, negligence, misuse, accidents, repairs or alterations and lack of maintenance. Please keep your receipt/ packing list as proof of purchase. This warranty gives you specific legal rights, and you may have other rights, which vary from state to state. For product service call Customer Service at 1-866-384-8432.

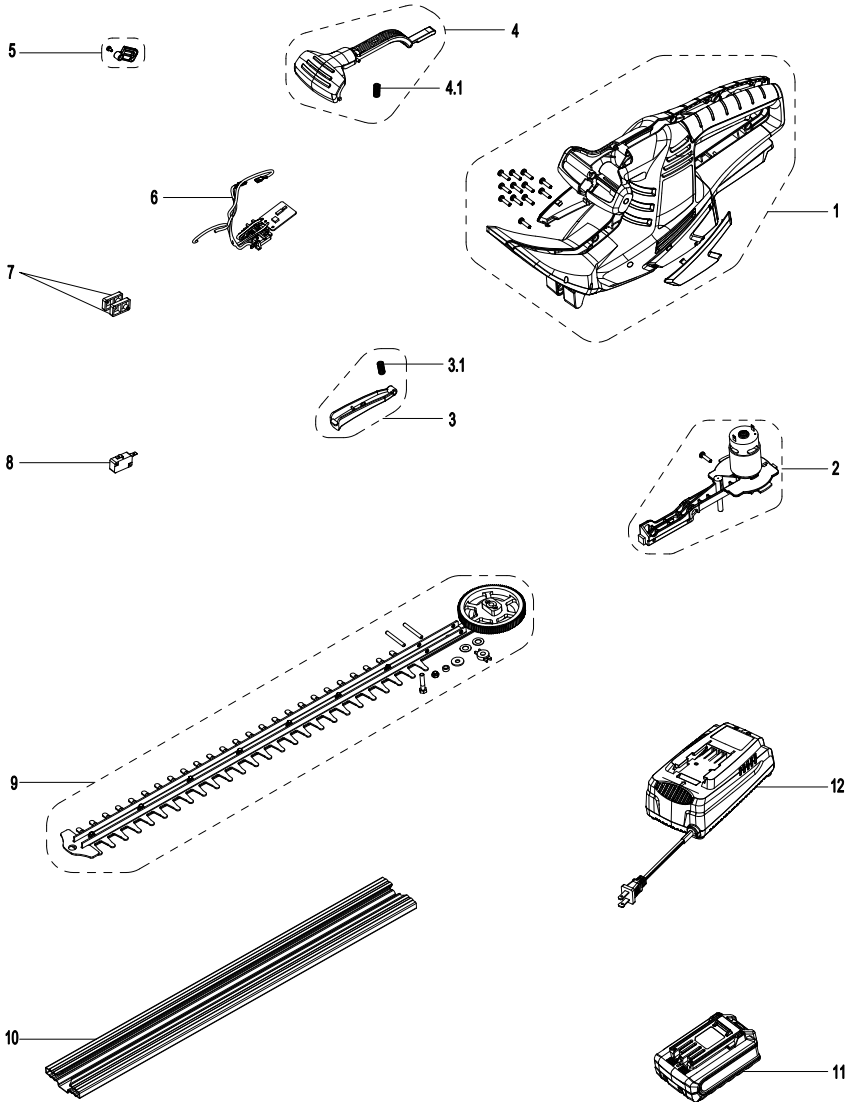
Items not covered by warranty:

1. Any part that has become inoperative due to misuse, commercial use, abuse, neglect, accident, improper maintenance, or alteration;
2. The unit, if it has not been operated and/or maintained in accordance with the owner's manual;
3. Normal wear, except as noted below;
4. Routine maintenance items such as lubricants;
5. Normal deterioration of the exterior finish due to use or exposure.

Transportation Charges: Transportation charges for the movement of any power equipment unit or attachment are the responsibility of the purchaser. It is the purchaser's responsibility to pay transportation charges for any part submitted for replacement under this warranty unless such a return is requested in writing by LawnMaster®.

SAVE YOUR RECEIPTS. THIS WARRANTY IS VOID WITHOUT THEM.

EXPLODED VIEW



PARTS LIST

Key Number	Part Number	Description	Quantity
1		Motor Housing Assembly	1
2		Motor Assembly	1
3		Rear Handle Assembly	1
3.1		Compression Spring	1
4		Auxiliary Handle Assembly	1
4.1		Compression Spring	1
5		Wire Axle Board	1
6		PCB Controller Components	1
7		Washer	2
8		Micro Switch	1
9		Blade & Gear Assembly	1
10		Blade Scabbard	1
11	221043108	Battery	1
12	221024107	Charger	1

Replacement parts highlighted in grey are available for after sales purchase. Replacement of repair or internal parts should only be done by a qualified service professional. Please contact your authorized service dealer or Customer Service at 866-384-8432.

