

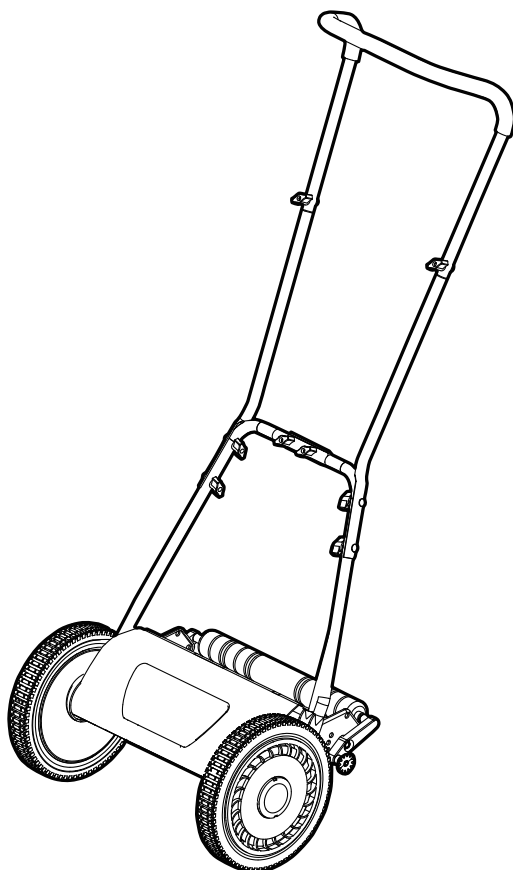
LawnMaster[®]

Operator's Manual

EN p. 2

14" Reel Mower LMRM1401

Save this manual for future reference.



Read all safety rules and instructions carefully before operating this tool.

Distributed By: Suzhou Cleva Electric Appliance Co., Ltd.

NO.8 Ting Rong Street 215122 Suzhou - China

TABLE OF CONTENTS

Section	Page
TABLE OF CONTENTS	2
SPECIFICATIONS	2
IMPORTANT SAFETY INSTRUCTIONS	3-5
SYMBOLS	5-6
KNOW YOUR REEL MOWER	7
ASSEMBLY	8-10
OPERATION	11-12
MAINTENANCE	13-14
TROUBLESHOOTING	15
LAWNMASTER® WARRANTY	16
EXPLODED VIEW	17
PARTS LIST	18-19
NOTES	20

SPECIFICATIONS

Reel Mower LMRM1401

Number of Blades	5 Hardened Steel
Cutting Width	14" (350 mm)
Cutting Height Adjustment	4 positions: 1"-2" (26-51 mm)
Wheel Size	10" (254 mm)
Weight	22 lbs. (9.9 kg)

IMPORTANT SAFETY INSTRUCTIONS

INTRODUCTION

This product has many features for making its use more pleasant and enjoyable.

Safety, performance, and dependability have been given top priority in the design of this product, making it easy to maintain and operate.



WARNING

READ AND UNDERSTAND ALL INSTRUCTIONS.

Failure to follow all instructions listed below and, on the tool, may result in electric shock, fire, and/or serious personal injury.



WARNING

This symbol indicates important safety instructions. If these instructions are not followed, it could endanger the personal safety and/or property of the operator and others. Read and understand all instructions in this manual before attempting to operate the mower. Failure to comply with these instructions may result in personal injury.

READ ALL INSTRUCTIONS

- Read this Operator's Manual carefully in its entirety before attempting to assemble this machine. Read, understand, and follow all instructions on the machine and in the manual before operation. Keep this manual in a safe place for future and regular reference and for ordering replacement parts.
 - Be completely familiar with the proper use of this machine before operating it.
 - This machine is a precision piece of equipment and requires the operator to exercise extreme caution at all times. This machine has been designed to perform one job: to mow grass. Do not use it for any other purpose.
 - Only allow operators, who are responsible, trained, familiar with the instructions, and physically capable to operate the mower.
 - Thoroughly inspect the area where the equipment is to be used. Remove all stones, sticks, wire, bones, toys and other foreign objects.
 - Do not help avoid blade contact, stay in the operator zone behind handles and keep children, bystanders, helpers and pets away from mower while it is in operation. Stop the machine if anyone enters the area.
 - Wear sturdy, rough-soled work shoes and close-fitting slacks and shirts. Shirts and pants that cover the arms and legs and steel-toed shoes are recommended. Never operate this machine with bare feet, sandals, slippery or lightweight (e.g. canvas) shoes.
 - Do not put hands or feet near the rotating blades. Contact with blades can amputate fingers and toes.
 - Many injuries occur as a result of the mower being pulled over the foot during a fall caused by slipping or tripping. Do not hold on to the mower if you are falling; release the handle immediately.
 - Be careful when pulling the machine backward. Look down and behind to avoid tripping. Be sure you are well balanced with sure footing.
 - Do not operate the mower while under the influence of alcohol or drugs.
-

IMPORTANT SAFETY INSTRUCTIONS

- Avoid operating the mower in a dangerous environment. Do not use the mower in damp or wet conditions or operate in the rain. Always be sure of your footing. A slip and fall can cause serious personal injury.
- Do not expose to rain, store indoors.
- Mow only in daylight or good artificial light.
- Walk, never run when using the mower.
- Never place hands, fingers or feet inside the reel. Although a motor does not power this mower, when the wheels turn the reel spins and can cut.
- The cutting blade may continue to rotate for a few seconds after the mower has stopped moving. Never place any body parts in the area of the blade until you are sure the blade has stopped rotating.
- Never intentionally strike or hit trees, fences, etc. This can cause injuries or severely damage the reel mower mechanisms.
- Do not force the reel mower. Use the correct tool for your application. The correct tool will do the job better and safer at the rate for which it is designed.
- Use safe lifting practices when moving mower.
- Only use parts and accessories made for this machine by the manufacturer. Failure to do so can result in personal injury.
- If situations occur which are not covered in this manual, use care and good judgement. Contact Customer Service (Toll-free Helpline 1-866-384-8432) for assistance or the nearest service dealer.

OPERATING MOWER ON A SLOPE

Slopes are a major factor related to slip and fall accidents, which can result in severe injury. Operation on slopes requires extra caution. If you feel uneasy on a slope, do not mow it.

- Mow across the face of slopes; never up and down. Exercise caution when changing direction on slopes.
- Watch for holes, ruts, rocks, hidden objects, or bumps which can cause you to slip or trip. Tall grass can hide obstacles.
- Do not mow near drop-offs, ditches or embankments; you could lose your footing or balance.
- Do not mow slopes with a gradient greater than 15 degrees.
- Do not mow wet grass. Unstable footing could cause slipping.

CHILDREN

Tragic accidents can occur if the operator is not alert in the presence of small children. Children are often attracted to the mower and the mowing activity. Children younger than 14 years old do not understand the dangers. Never assume that children will remain where you last saw them.

- Keep children younger than 14 years old out of the mowing area and under watchful care of a responsible adult other than the operator.
- Be alert and stop mowing if a child or others, including pets, enter the area.
- Use extreme care when approaching blind corners, doorways, shrubs, trees, or other objects that may obscure your vision of a child who may run into the mower.
- Never allow children under 14 years of age to operate this machine. Children of 14 years and above should read and understand the instructions and safe operation practices in this manual and on the machine and be trained and supervised by an adult.




IMPORTANT SAFETY INSTRUCTIONS

SAVE THESE INSTRUCTIONS

Refer to them frequently and use them to instruct others who may use this appliance. If you loan someone this appliance, loan them these instructions also.




SYMBOLS

Some of the following symbols may be used on this product. Please study them and learn their meaning. Proper interpretation of these symbols will allow you to operate the product better and safer.

SYMBOL	NAME	DESIGNATION/EXPLANATION
	Safety Alert	Precautions that involve your safety
	Read The Operator's Manual	To reduce the risk of injury, user must read and understand Operator's Manual before using this product.
	Danger - Rotating Blades	To reduce the risk of injury, keep hands and feet away.

SYMBOLS

The following signal words and meanings are intended to explain the levels of risk associated with this product.

SYMBOL	SIGNAL	MEANING
	DANGER	Indicates an imminently hazardous situation, which, if not avoided, will result in death or serious injury.
	WARNING	Indicates a potentially hazardous situation, which, if not avoided, could result in death or serious injury.
	CAUTION	Indicates a potentially hazardous situation, which, if not avoided, may result in minor or moderate injury.
	NOTICE	(Without Safety Alert Symbol) Indicates a situation that may result in property damage.

SERVICE

Service requires extreme care and knowledge and should be performed only by a qualified service technician. When servicing, use only identical replacement parts.

For troubleshooting or replacement, please call Customer Service for assistance (Toll free number 866-384-8432).

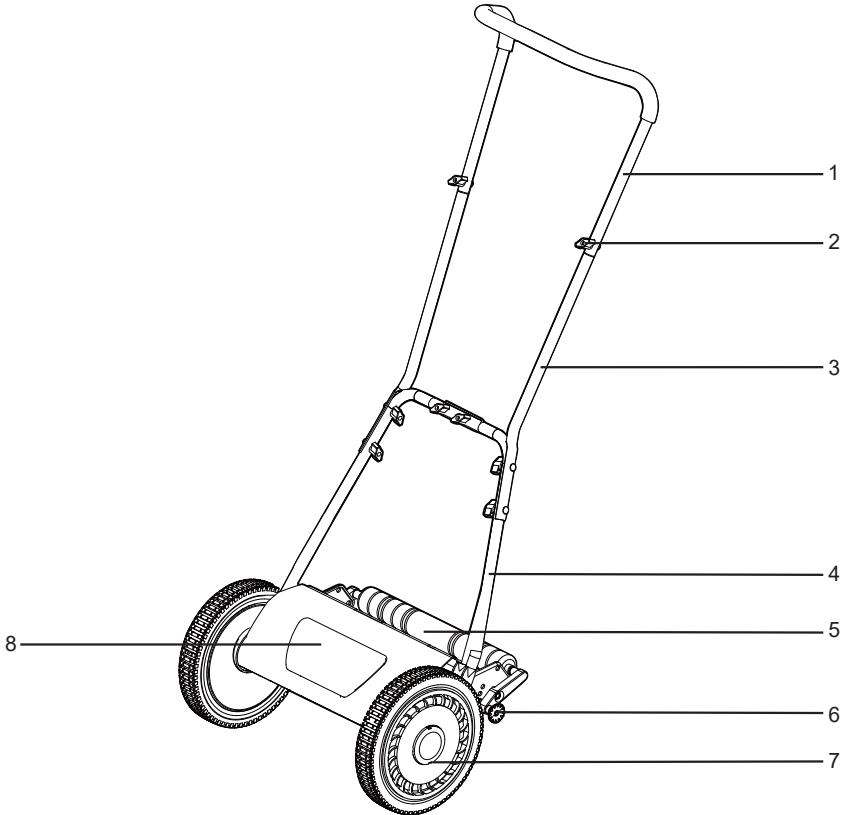
WARNING

To avoid serious personal injury, do not attempt to use this product until you have read thoroughly and understand completely the Operator's Manual.

If you do not understand the warnings and instructions in the Operator's Manual, do not use this product. Call Customer Service for assistance (Toll free number 866-384-8432).

KNOW YOUR REEL MOWER

The safe use of this product requires an understanding of the information on the product and in this Operator's Manual as well as a knowledge of the project you are attempting. Before use of this product, familiarize yourself with all operating features and safety rules.



Components

1. Upper Handle
2. Twist Knob (X8)
3. Middle Handle (X2)
4. Lower Handle (X2)
5. Rear Roller
6. Height Adjustment Knob (X2)
7. Wheel (X2)
8. Mower Cover

ASSEMBLY

UNPACKING

This product requires assembly.

- Carefully remove the product and any accessories from the box. Make sure all items listed in the packing list are included.
- Inspect the product carefully to make sure no breakage or damage occurred during shipping.
- Do not discard the packing material until you have carefully inspected and satisfactorily operated the product.
- If any parts are damaged or missing, please call Customer Service (Toll free number 866-384-8432).

PACKING LIST

- (1) Upper Handle
- (2) Middle Handles
- (2) Lower Handles
- (8) Bolts
- (8) Twist Knobs
- (1) Reel Mower Body (with blades, wheels and height adjustment knobs installed)
- (1) Operator's Manual



WARNING

If any parts are damaged or missing do not operate this product until the parts are replaced. Failure to heed this warning could result in serious personal injury.



WARNING

Do not attempt to modify this product or create accessories not recommended for use with this product. Any such alteration or modification is a misuse of the product and could result in a hazardous condition leading to possible serious personal injury.



WARNING

Never operate the mower without the proper working safety devices in place. Never operate the mower with damaged safety devices. Failure to heed this warning can result in serious personal injury.

ASSEMBLY

ASSEMBLING THE HANDLES

NOTE: Do not completely tighten bolts until assembly is complete.

- Secure the upper handle to the middle handles with two bolts and two twist knobs (Fig. 1).
- Connect the right lower handle with the left lower handle and secure with two bolts and two twist knobs (Fig. 2).
- Attach the top handle subassembly previously assembled to the lower handle subassembly using four bolts and four twist knobs (Fig. 3).
- Tighten all the knobs on the joints of the handle assembly.

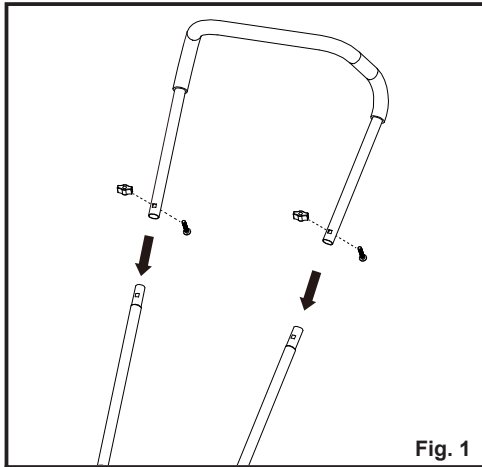


Fig. 1

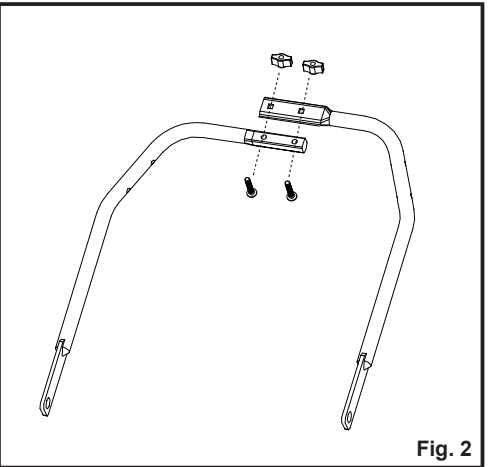


Fig. 2

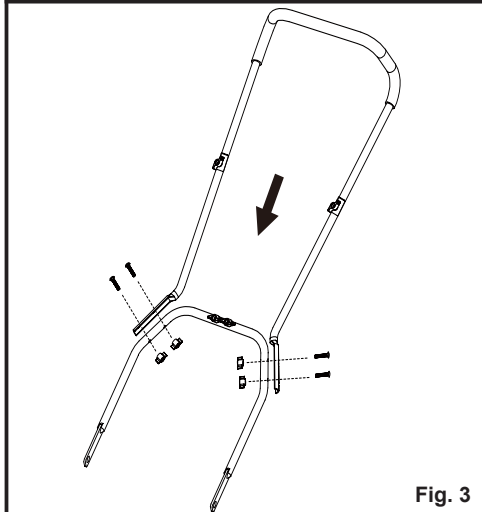
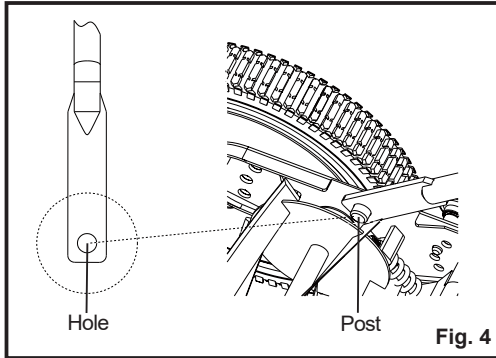


Fig. 3

ASSEMBLY

ATTACHING THE HANDLE TO THE MOWER FRAME

- Align holes at the lower end of each handle arm with posts extending from the mower frame side plates (Fig. 4).
- Slide the lower end of the handle arms onto the posts.



WARNING

Always keep hands clear of blades when attaching the handle to the frame. Not doing so can result in serious injury!

OPERATION



WARNING

Do not allow familiarity with this type of product to make you careless. Remember that a careless fraction of a second is sufficient to inflict serious injury.



WARNING

Do not use any attachments or accessories not recommended by the manufacturer of this product. The use of attachments or accessories not recommended can result in serious personal injury.

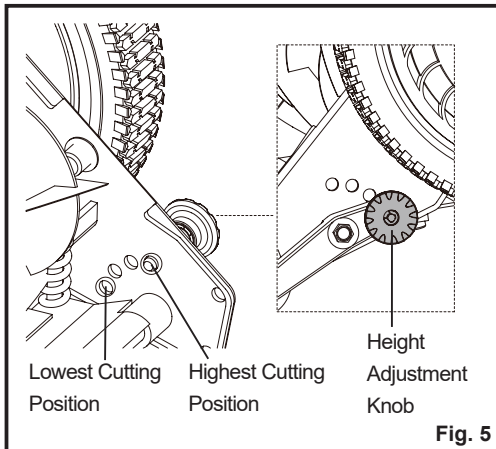
ADJUSTING THE CUTTING HEIGHT

The cutting height can be adjusted to four positions, from 1" to 2" (26mm to 51mm).

- For the highest cutting level, move the adjustment knobs to the highest cutting position (Fig. 5).
- For the lowest cutting level, move the adjustment knobs to the lowest cutting position (Fig. 5).
- Set intermediate cutting heights by moving the adjustment knobs to one of the two notches between highest and lowest positions.

NOTE: The two adjustment knobs **MUST** be set to the same height.

For best performance, align the edge of the cutting blades to overlap the previously cut path. This will ensure no grass is missed during the process.



USING THE MOWER

Please observe the following when operating your reel mower.

OPERATION

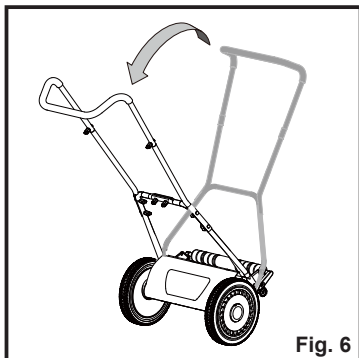
- Your mower is not power-operated and requires continuous hand pushing during mowing. Use this mower only on lawn that has been grown on a smoothly graded ground surface. This mower is most effective on flat, even lawns. Mowing lawns with tall weeds may affect the overall mowing result.
- Be sure the lawn is clear of stones, sticks, wire, or other objects which could damage the lawn mower or engine.
- Mow the lawn when the grass is relatively dry. Attempting to mow wet grass can result in an uneven cut.
- Maintain a consistent walking pace while pushing the mower in straight passes.
- Slightly overlap each pass to even the cut and avoid leaving uncut strips.
- Mow the lawn regularly, during its growing season. Mow more frequently than you would with a conventional rotary lawn mower.
- Always mow with the blade height adjusted to cut no more than 1/3 the total height of grass.
- If the lawn height exceeds four inches, adjust the blade height to its highest position before mowing. After mowing, readjust the blade to your preferred cutting height and mow the lawn a second time within the next one or two days.

WARNING

The operation of any lawn mower can result in debris being thrown into the eyes, which can damage your eyes severely. Always wear safety glasses while operating the mower, or while performing any adjustments or repairs on it.

TRANSPORTING THE MOWER

During normal operation, the blade reel will turn while the mower's front wheels are turning. To safely move the mower from one location to another without the blade reel turning, simply pivot the handle over the reel and push the mower from the opposite side (Fig. 6). Pushing the mower in this manner (transport mode) prohibits the blade reel from turning.



MAINTENANCE

GENERAL MAINTENANCE

- Always observe safety rules when performing any maintenance.
- All adjustments should be checked at least once each season.
- Periodically check all fasteners to ensure they are tight.
- Regularly apply lubricant to mower's cutting surfaces, cutting reel axle shaft and wheels.

CLEANING AND STORING THE MOWER

- To prevent the build-up of grass clippings or other debris, clean the mower by wiping it down with a damp cloth after each use.
- Scrape and clean the mower with a suitable tool (e.g. a plastic scraper or brush).
- Do not use a pressure washer or garden hose to clean the mower.
- Remove deposits from the wheel tread.
- Store the mower indoors in a clean, dry place out of the reach of children.

SHARPENING THE BLADES



WARNING

Mower blades are sharp and can cut. Wear gloves and use extra caution when servicing them. Wheel rotation can cause the blade reel to rotate.

Periodically sharpen the blades as follows:

- Spread a thin layer of lapping compound (100 - 240 grit) on the front edge of the reel blades.
- Adjust the cutting bar so that the blade has light but firm contact across the full width of the cutting bar. Refer to the Adjusting The Blades section in this manual.
- Operate the mower on a paved surface until the front edge of the cutting bar blade is polished.
- Clean any grinding compound or debris from the cutting bar blade, reel blade, rear roller, and pawls.

NOTE: To prevent surface rust to mower blades, dry blades after use and apply a thin coat of penetrating oil spray.

NOTE: Reel mower sharpening kits are available for purchase at your local home center, hardware store, or online.

ADJUSTING THE BLADES



WARNING

Blades are extremely sharp. To avoid injury, do not touch blades when making adjustments.

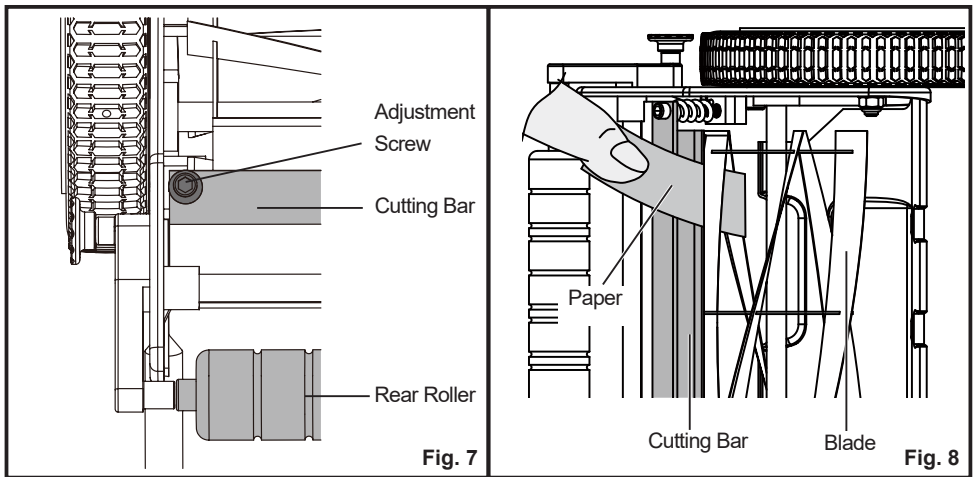
The blade reel is adjusted for proper clearance from the cutting bar at the factory. However, after extended periods of mowing or as part of annual maintenance, it is recommended that the blade clearance be readjusted. Use a 6mm hex key for adjusting (not included).

MAINTENANCE

- Misalignment can occur, often caused by blades being too loose or too tight. This can cause an uneven cut or difficulty pushing the mower.
- Each end of the cutting bar is adjusted separately.
- To move the cutting bar closer to the blades, use a hex key to turn the adjustment screw clockwise. To move the cutting bar away from the blades, turn the adjustment screw counterclockwise (Fig. 7).
- When the space equals the thickness of paper (0.12 mm), insert a piece of paper between one of the blades and the cutting bar, and slowly turn the wheel by hand (Fig. 8).
- The reel should cut the paper evenly at every point. If not, it is necessary to readjust the cutting action.

WARNING

Do not over-tighten the adjustment screw, as this could damage the cutting bar. Tighten both screws during final adjustment.



CAUTION

Adjusting the screws for blade adjustments is a very sensitive procedure. A sixteenth of a turn is considered a major adjustment. Before tightening one adjustment screw, make sure to loosen the opposite screw an equal amount.

TROUBLESHOOTING

Suspected malfunctions are often due to causes that the user can fix themselves.

Therefore, check the product using this section. In most cases the problem can be solved quickly.

WARNING

Only perform the steps described within these instructions!

All further inspection, maintenance and repair work must be performed by an authorized service center or a similarly qualified specialist if you cannot solve the problem yourself!

PROBLEM	POSSIBLE CAUSE	SOLUTION
Mower cuts unevenly.	Rough or uneven lawn.	Check the mowing area.
	Cutting height not set properly.	Set the mower at a higher position.
	The blade is dull.	Sharpen the blades.
Mower is hard to push.	High grass or low cutting height makes rear roller and blades trapped in heavy grass.	Raise the cutting height.
	The blades are jammed.	Check for grass and debris under the mower cover, clean to make blades free to move.
	The cutting blades are not assembled securely.	Tighten the blade bolts properly.
Mower makes abnormal noise.	The blades are not balanced.	Sharpen and balance the blades following instructions in this manual (see page 13).
Lawn turns yellow, cut not clean.	The blade is dull.	Sharpen the blades.
	Cutting height is too low.	Use a slightly higher cutting height.
Mower leaves deep tracks.	The ground is softened by water. Lawn is too wet.	Allow lawn to dry. Do not mow if grass is wet.

LAWNMASTER® WARRANTY

We take pride in producing a high quality, durable product. This Lawnmaster® product carries a limited two (2) year warranty against defects in workmanship and materials from date of purchase under normal household use. If the product is to be used for commercial, industrial or rental use, a 30-day limited warranty will apply. Warranty does not apply to defects due to direct or indirect abuse, negligence, misuse, accidents, repairs or alterations and lack of maintenance. Please keep your receipt/packing list as proof of purchase. This warranty gives you specific legal rights, and you may have other rights, which vary from state to state. For product service call Customer Service at 1-866-384-8432.

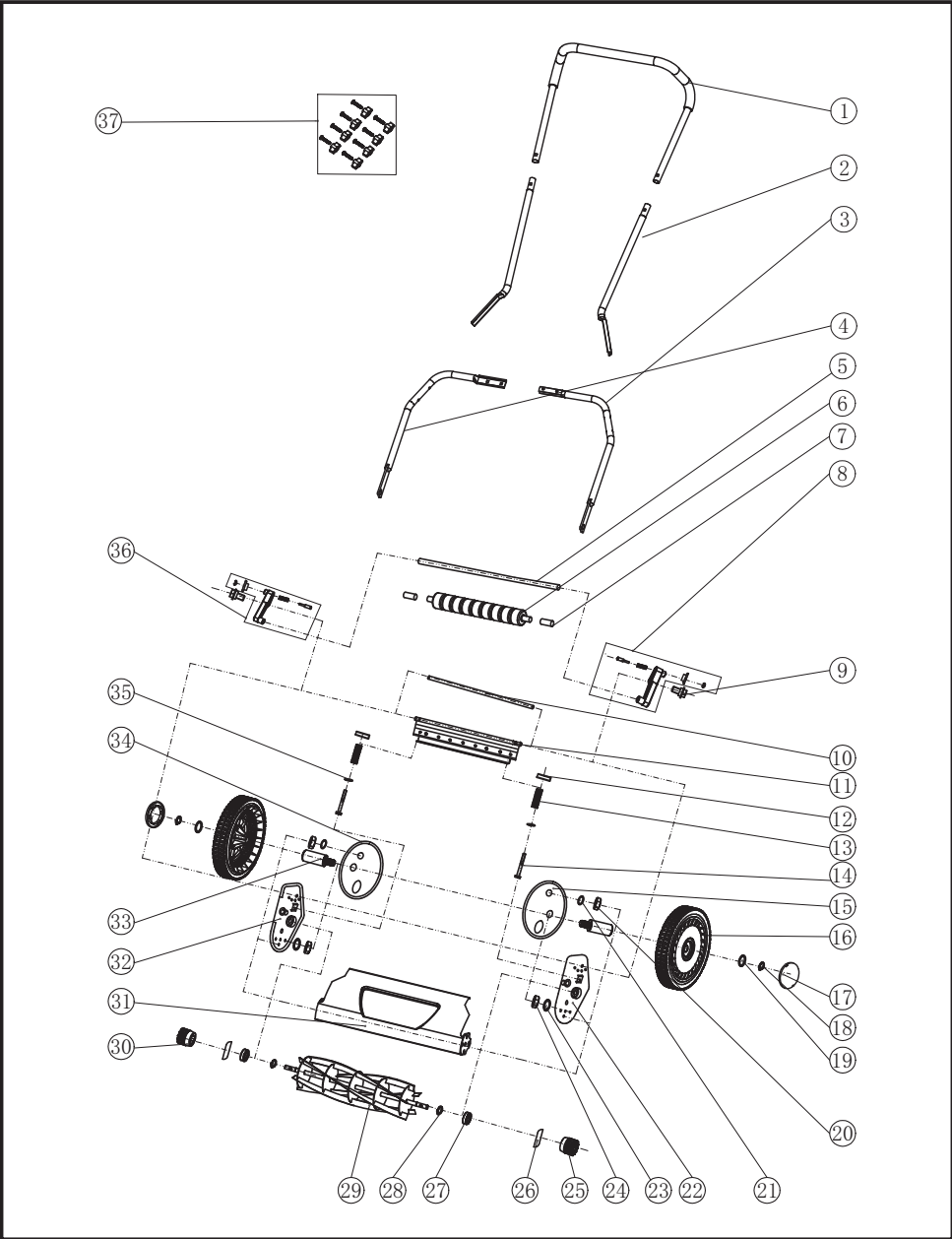
Items not covered by warranty:

1. Any part that has become inoperative due to misuse, commercial use, abuse, neglect, accident, improper maintenance, or alteration;
2. The unit, if it has not been operated and/or maintained in accordance with the owner's manual;
3. Normal wear, except as noted below;
4. Routine maintenance items such as lubricants, blade sharpening;
5. Normal deterioration of the exterior finish due to use or exposure.

Transportation Charges: Transportation charges for the movement of any power equipment unit or attachment are the responsibility of the purchaser. It is the purchaser's responsibility to pay transportation charges for any part submitted for replacement under this warranty unless such a return is requested in writing by LawnMaster®.

SAVE YOUR RECEIPTS. THIS WARRANTY IS VOID WITHOUT THEM.

EXPLODED VIEW



PARTS LIST

Key Number	Part Number	Description	Quantity
1		Upper Handle	1
2		Middle Handle	2
3		Left Lower Handle	1
4		Right Lower Handle	1
5		Roller Shaft	1
6		Roller	1
7		Roller Shaft Sleeve	2
8	511002108	Height Adjustment Knob Assembly (L)	1
9		Bolt	2
10		Cutting Bar Pivot Rod	1
11		Cutting Bar Assembly	1
12		Blade Adjustment Nut	2
13		Blade Adjustment Spring	2
14		Blade Adjustment Bolt	2
15		Supporting Plate (L)	1
16	511002116	Wheel Assembly	2
17		Wheel Cover	2
18		C-Clip	2
19		Washer	2
20		Nut M8	2
21		Spring Washer	2
22		Supporting Assembly (L)	1
23		Washer	2
24		Lock Nut M10	2
25		Gear (L)	1
26		Pin/Pawl	2
27		Bearing	2
28		C-Clip	2
29		Cylinder-Blade Assembly	1
30		Gear (R)	1
31		Cover Assembly	1
32		Supporting Assembly (R)	1

PARTS LIST

Key Number	Part Number	Description	Quantity
33		Wheel Shaft	2
34		Supporting Plate (R)	1
35		Washer	2
36	511002136	Height Adjustment Knob Assembly (R)	1
37	511002138	Twist Knob and Bolt Assembly (X8)	1

Replacement parts highlighted in grey are available for after sales purchase. Replacement of repair or internal parts should only be done by a qualified service professional. Please contact your authorized service dealer or Customer Service at 866-384-8432.

